

DRAFT

February 18, 2003

thrusafe®

Modular Platforms

for spaces with restricted openings

assembly and operating manual

*Tractel Inc.
Griphoist Division*

*Tractel Inc.
Griphoist Division*

Norwood, MA 02062

Tel: (781) 401-3288 Fax: (781) 828-3642

Toll Free 1-800-421-0246

Tractel Inc.

315 Cloverleaf Drive, Unit E

Baldwin Park, CA 91706

Tel: (626) 937-6727 Fax: (626) 937-6730

Tractel Ltd.

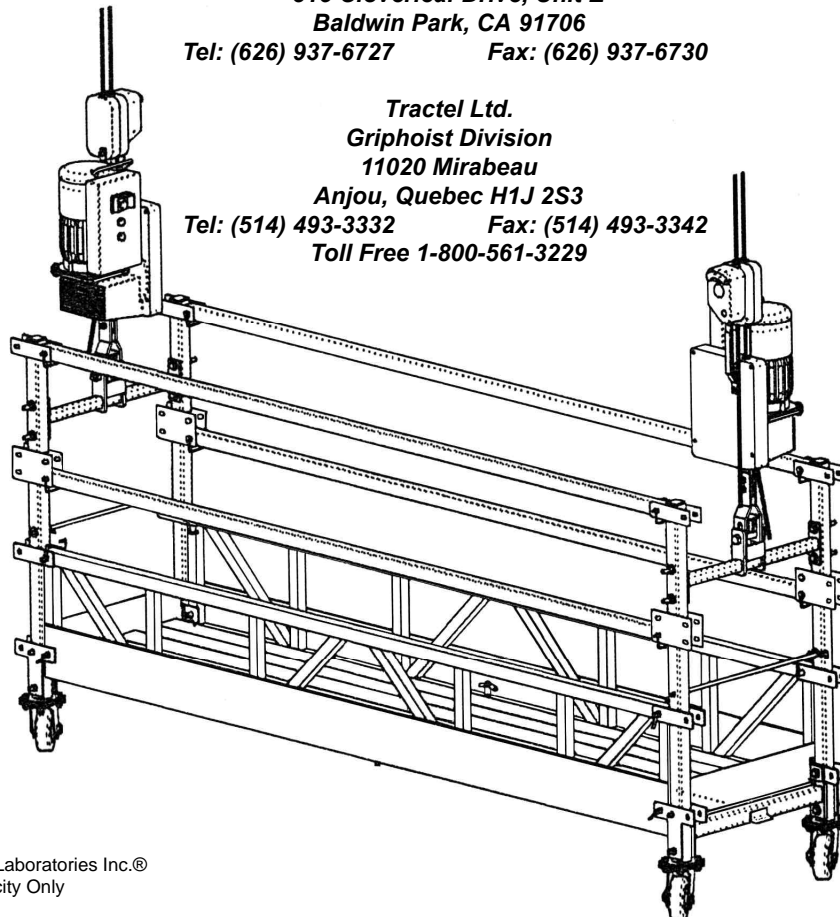
Griphoist Division

11020 Mirabeau

Anjou, Quebec H1J 2S3

Tel: (514) 493-3332 Fax: (514) 493-3342

Toll Free 1-800-561-3229



Classified by Underwriters Laboratories Inc.®
As to Load Capacity Only

400S



thrusafe®

Modular Platforms for spaces with restricted openings

assembly and operating instructions

THRUSAFE COMPONENTS

1. GENERAL WARNING
2. TRANSPORT AND HANDLING
3. TECHNICAL SPECIFICATIONS OF PLATFORMS
 - 3.1 Modular combinations for various platforms lengths
 - 3.1.1 Platform with End Stirrups
 - 3.2 Load Ratings for Various Platform Lengths
 - 3.2.1 Platform with End Stirrups
4. ASSEMBLY INSTRUCTIONS
 - 4.1 Assembly of End Stirrups
 - 4.2 Assembly of "U" Connector
 - 4.3 Assembly of Knockdown Components into Modular Sections
 - 4.4 Assembly of Bumper Rollers
 - 4.5 Installation of Swivel Casters for Thrusafe "U" Connector End Hoist Supports
 - 4.6 Set Up of Primary and Secondary Wire Ropes
 - 4.7 Set-up of Outriggers and Counterweight Systems
5. CHECKS BEFORE USING THE PLATFORM
 - 5.1 Suspension Points and Support Equipment
 - 5.2 Platform
 - 5.3 Hoists
 - 5.4 Wire Ropes
6. USE AND OPERATION OF THE PLATFORM
7. INFORMATION FOR MAINTENANCE
8. MODULAR SUSPENDED PLATFORM COMPONENTS
 - 8.1 Exploded View – Primary Components
 - 8.2 Component and Spare Part Product Codes
 - 8.3 Labels and Markings





thrusafe®

MODULAR PLATFORMS

Suspension Bracket
PMR0018B

Thrusafe End Stirrup
PFD0100B
See details on page 4

Optional
Bumper Roller Assembly
C25302

Thrusafe "U" Connector -
PFD0500B
See details on page 4

Thrusafe "U" Connector -
PFD0500B
See details on page 4

Suspension
Bracket
PMR0018B

Thrusafe End Stirrup
PFD0100B
See details on page 4

9'-9" (3 m) Thrusafe Platform Assembly
PFD3001D
comprised of

- 1- 9'-9" (3 m) Thrusafe Hinged Deck
PFD3100D
- 2- 9'-9" (3 m) Side Sections
PFD3200D
- 4- 9'-9" (3 m) Handrails
PFD3300B

6'-6" (2 m) Thrusafe Platform Assembly
PFD2001D
comprised of

- 1- 6'-6" (2 m) Thrusafe Hinged Deck
PFD2100D
- 2- 6'-6" (2 m) Side Sections
PFD2200D
- 4- 6'-6" (2 m) Handrails
PFD2300B

3'-3" (1 m) Thrusafe Platform Assembly
PFD1001D
comprised of

- 1- 3'-3" (1 m) Thrusafe Hinged Deck
PFD1100D
- 2- 3'-3" (1 m) Side Sections
PFD1200D
- 4- 3'-3" (1 m) Handrails
PFD1300B





thrusafe®

MODULAR PLATFORMS

Fig. 1
Thrusafe End Stirrup
PFD0100B

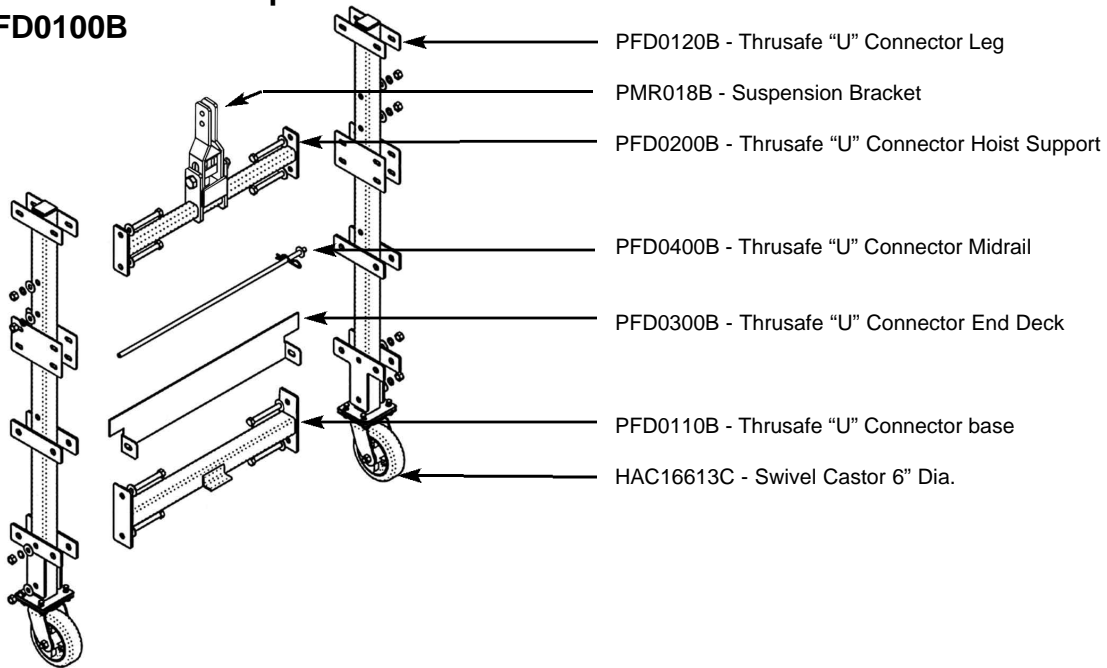
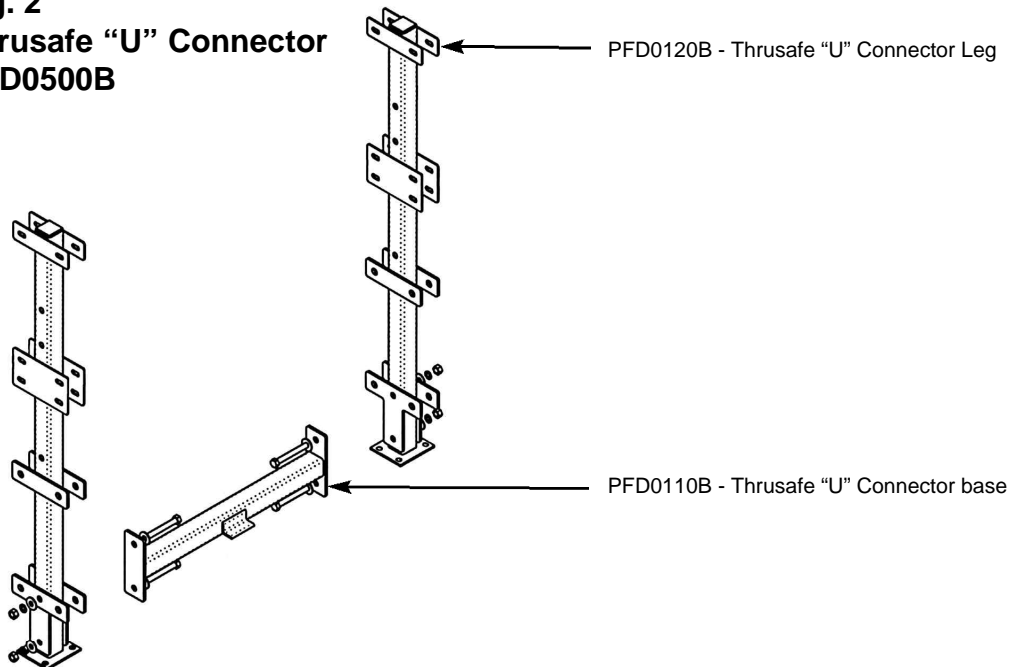


Fig. 2
Thrusafe "U" Connector
PFD0500B





GENERAL WARNING



Read this general warning first.

In suspended platform operations, safety is a matter of life or death for riggers, operators and by-standers. This warning is your share of duties for achieving safety.

YOUR DUTY TO UNDERSTAND AND COMPLY.

1. It is the responsibility of the rigger's and the operator's, and their employer's responsibility, if they operate under an employer's control, to strictly conform to the following warnings.
2. It is imperative for safety and efficiency of operations that this manual be **read and fully understood** by the rigger and the operator before rigging or operating the platform. **All instructions contained herein must be carefully and strictly followed, including applicable Tractel safety guidelines.**
3. Should you hand over a platform under whatever conditions, to any party operating out of your control, you must attach a clean copy of this manual and draw to other party's attention that strictly following all the instructions therein is a matter of life or death.
4. Before rigging and operating this platform, the rigger and the operator must become aware of all the requirements of federal, state, provincial and local safety regulations not only applicable to the platform but also to the entire suspended scaffold system and any component of it.
5. Never use the scaffold platform for any job other than lifting personnel on suspended scaffold according to the instructions of this manual.
6. Never load the platform above its rated load.

YOUR DUTY TO INSPECT AND MAINTAIN.

7. Keep this manual available at all times for easy reference whenever required. Extra copies are available from Tractel and/or your equipment supplier.
8. Carefully take notice of all the labels affixed to the platform. Never rig or operate the platform if any label, normally fixed on it is obscured or missing. Replacement labels are available through Tractel and/or your equipment supplier.
9. Every time the platform is to be rigged or used, check that the platform, hoists, wire ropes and other components of the suspended scaffold system are complete and in good working condition, prior to proceeding. All specified hardware must be in place with the pins secured and all bolts tightened.
10. A careful and regular inspection of the platform hoists, wire ropes and other components of the installation is part of the safety requirements. If you have a question, call Tractel and/or your equipment supplier.
11. Maintenance may only be carried out by personnel authorized by Tractel. A signed and dated inspection

12. After each de-rigging and before re-rigging, the platform must be inspected by a competent person familiar with the platform and professionally trained for the purpose.



13. Inspection by persons authorized by Tractel is to be carried out once every six months or every 200 hours minimum. A signed and dated inspection record should be maintained.

14. The manufacturer declines any responsibility for consequences of repairs or modifications brought out of its control to the product, specially by replacement of original parts or repairs by another manufacturer.

YOUR DUTY TO TRAIN AND CONTROL PEOPLE.

Compliance with safety rules extends to rigging operations which must be carried out only after securing safe conditions of operation as per safety regulations and requirements.

15. An operator must not be assigned to a suspended job or to rigging for a suspended job, or to de-rigging after the job, if that person is not:
 - a) mentally and physically fit for the purpose especially at heights.
 - b) competent for the job to be performed.
 - c) familiar with the scaffold equipment as rigged.
 - d) professionally trained for working under the above requirements.

Except for the operations described in this manual, the maintenance of the platform unit, as well as repair, must be exclusively done by repairers authorized by Tractel. Spare parts used for all equipment must be exclusively in accordance with the serial number of each product. No substitutions are allowed.

16. Never let the platform or other components of a suspended scaffold system be managed or operated by any person other than authorized and assigned to the job. Keep the equipment, either rigged or unrigged, out of reach of unauthorized persons, while out of operation.
17. Training operators and riggers includes setting up rescue procedure should a scaffold be brought to a standstill during a job. Such procedure must be set up by a competent person of the user, or its technical consultant, according to the working conditions, prior to putting the equipment into operation.
18. Every suspended job must be placed under the control of a person having the required competence and authority for checking that all the instructions prescribed by this manual be regularly and efficiently carried out.

YOUR DUTY TO SAFETY BEYOND THE PLATFORM

The Thrusafe equipment has been specially designed to be fitted with Tirak hoists.

As being only one piece of a scaffold system, the platform can contribute to the required safety only if:

19. Compatibility of other brands of hoists has been verified & approved by Tractel engineering department.
20. It is fitted on compatible equipment.
21. Other components meet the requirements of the applicable safety regulations and requirements, are of the proper quality, assembled to form a safe and efficient suspended scaffold system and are approved by Tractel engineering department
22. Every upper support of the scaffold is stable, sufficiently strong and properly tied back to the structure, according to the load either static or dynamic.
23. The supporting structure and tie-backs are required to withstand every load to be applied, either static or dynamic, during rigging or operating the scaffold equipment.
24. All the requirements in strength and resistance are obtained with the necessary safety coefficients (see regulations and professional standards).
25. All the calculations, design and subsequent work necessary to meet the above requirements have been made by a competent person on the basis of proper technical information regarding the site.

YOUR DUTY TO AVOID TAKING CHANCES.

26. Once the suspended platform has been lifted off its initial support (ground or any other level), it is imperative not to release, remove, alter or obstruct any part of the equipment under load.
27. **NEVER** allow any condition which would result in a suspension wire rope becoming **SLACK** during the operation unless:
 - a) the suspended platform is supported on the surface giving access to the operator in compliance with safety regulations.
 - b) or unless another suspension wire rope has been safely rigged to the suspension platform.
28. Never operate a platform and its accessories, especially electric ones, in a potentially explosive atmosphere.
29. For any job to be performed on the suspended equipment, consider and control the specific risks related to the nature of the job.
30. Should you decide that this platform is no longer to be used, take precautions in disposing of it so that it cannot be used any more.
31. **The manufacturer declines any responsibility for any special rigging or structural combinations beyond the descriptions of this manual.**
32. **The manufacturer declines any responsibility for any other use of the platforms, than described in this manual.**

AN ULTIMATE RECOMMENDATION

Never neglect means to improve safety. Due to the risks inherent in the use of suspended scaffolding, it is strongly recommended that every installation be equipped with secondary wire rope(s) fitted with a separate fall arrest system, anchored to a safe separate point of the building structure.

This manual is neither a regulations compliance manual nor a general training guide on a suspended scaffold operations. You must refer to proper instructions delivered by manufacturers of the other pieces of equipment included in your suspended scaffold installation. Whenever calculations and specific rigging and handling are involved, the operator should be professionally trained to that end and secure relevant information prior to commencing such work.

2. TRANSPORT AND HANDLING



CAUTION



Improper shipping of the Platforms will cause damage to the side sections, that the sides will no longer join to the deck section.

Always stack the platforms in such a way that the top side section is facing down so no damage can occur to the slot at the bottom where the deck section slips in. See figures A-B

Fig. A – Always stack the knockdown side sections in such a way that the "U" channel faces down! This will prevent damage to the "U" channel when strapped during shipping.

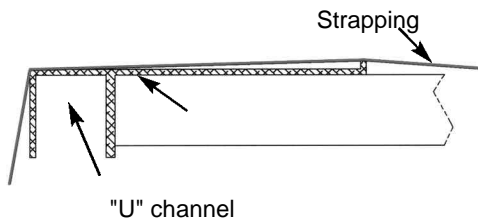
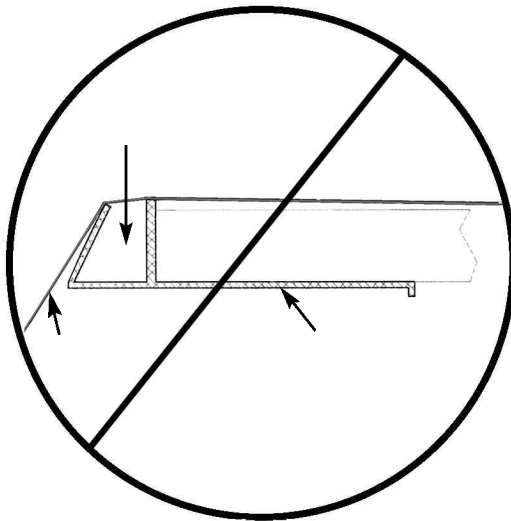


Fig. B – If stacked incorrectly the force from the strapping can cause damage the "U" channel of the side section, that the deck section will no longer fit in.



Components

		Shipping Weight	
		lbs.	(kg)
9'-9" (3 m) - Thrusafe platform* assembly	PFD3001D	183	(83)
6'-6" (2 m) - Thrusafe platform* assembly	PFD2001D	132	(60)
3'-3" (1 m) -Thrusafe platform* assembly	PFD1001D	65	(30)
Thrusafe End Stirrup	PFD0100B	80	(36)
Suspension Bracket	PMR018B	8	(4)
Thrusafe "U" Connector	PFD0500B	45	(20)

* Includes 1-Deck Section, 2-Side Sections & 4-Handrails

Handle equipment with care, and prevent wire ropes from becoming kinked. Do not drop equipment during loading or unloading. Carefully impose loads on scaffold and without impact.



WARNING



If the platform becomes bent as shown, do not use the damaged platform as structural integrity may be lost. Contact a Tractel representative before using the platform!

Note: When moving the platforms with a forklift use caution to prevent damage

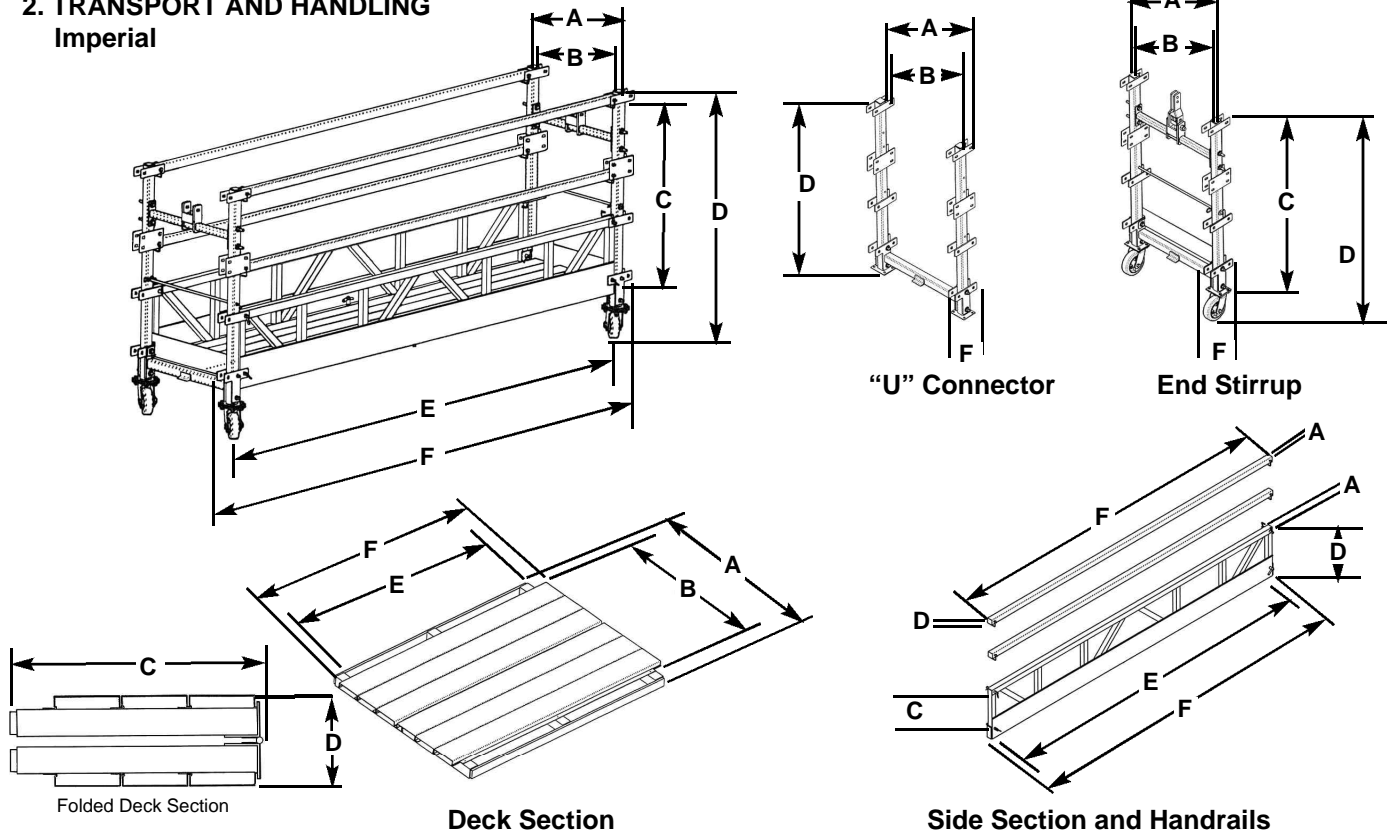


WARNING



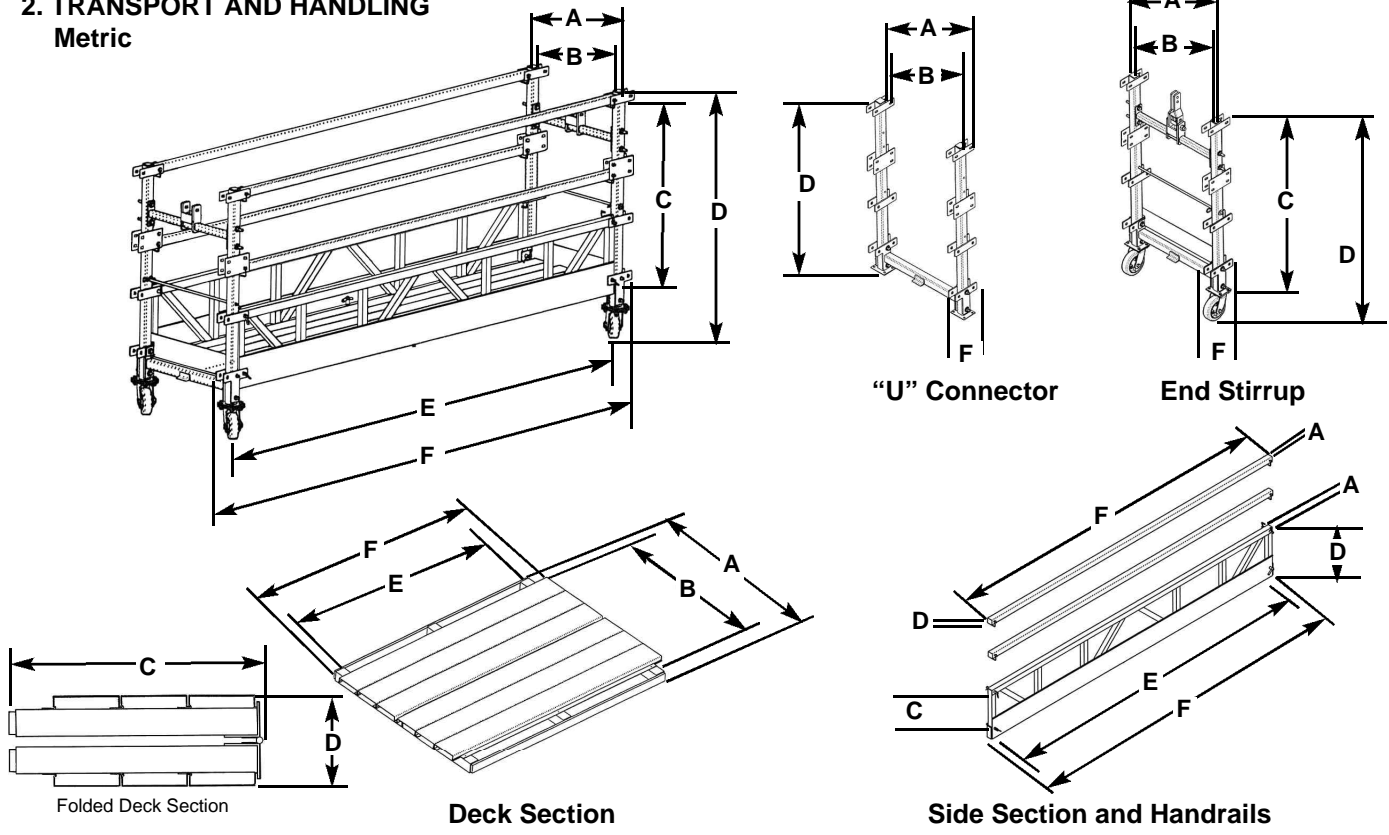
Check the integrity of the platform before the equipment is used.

2. TRANSPORT AND HANDLING
Imperial



<u>PART No.</u>	<u>Description</u>	<u>A</u>	<u>B</u>	<u>C</u>	<u>D</u>	<u>E</u>	<u>F</u>	<u>LBS.</u>
	THRUSAFE - 3m Platforms w/2 End Stirrups	29"	24 5/8"	40 9/16"	54 1/4"	118"	125 1/4"	183
	THRUSAFE - 2m Platforms w/2 End Stirrups	29"	24 5/8"	40 9/16"	54 1/4"	80"	87 1/4"	132
	THRUSAFE - 1m Platforms w/2 End Stirrups	29"	24 5/8"	40 9/16"	54 1/4"	39"	46 1/4"	65
PFD3100D	THRUSAFE - 3m Deck Section	28 1/4"	24 1/4"	14 5/16"	5 1/8"	114 3/4"	117 3/4"	65
PFD3200D	THRUSAFE - 3m Side Section	1 1/2"	-	13"	17 3/16"	113 1/2"	115 1/2"	37
PFD3300B	THRUSAFE - 3m Handrails	1 3/4"	-	-	1 3/4"	-	115"	11
PFD2100D	THRUSAFE - 2m Deck Section	28 1/4"	24 1/4"	14 5/16"	5 1/8"	76 3/4"	79 3/4"	46
PFD2200D	THRUSAFE - 2m Side Section	1 1/2"	-	13"	17 3/16"	74 1/4"	76 1/4"	27
PFD2300B	THRUSAFE - 2m Handrails	1 3/4"	-	-	1 3/4"	-	77"	8
PFD1100D	THRUSAFE - 1m Deck Section	28 1/4"	24 1/4"	14 5/16"	5 1/8"	35 3/4"	38 3/4"	23
PFD1200D	THRUSAFE - 1m Side Section	1 1/2"	-	13"	17 3/16"	33 1/2"	35 1/2"	14
PFD1300B	THRUSAFE - 1m Handrails	1 3/4"	-	-	1 3/4"	-	35 1/2"	4
PFD0500B	THRUSAFE - Platform "U" Connector (3 pcs. bolted together)	29"	24 5/8"	-	48 5/8"	-	6 1/2"	45
PFD0100B	THRUSAFE - Platform End Stirrup (6 pcs. bolted together)	29"	24 5/8"	48 5/8"	56 1/16"	-	6 1/2"	80

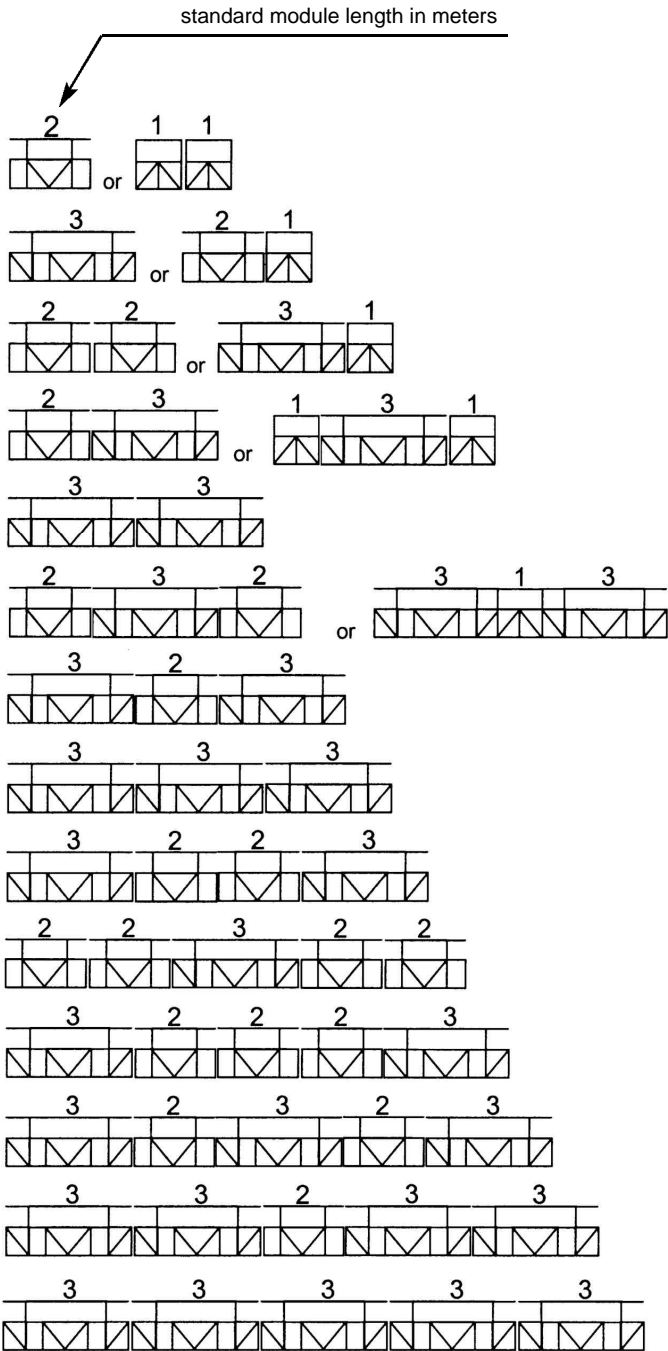
2. TRANSPORT AND HANDLING
Metric



<u>PART No.</u>	<u>Description</u>	<u>A</u>	<u>B</u>	<u>C</u>	<u>D</u>	<u>E</u>	<u>F</u>	<u>KG.</u>
	THRUSAFE - 3m Platforms w/2 End Stirrups	737mm	625mm	1030mm	1378mm	2997mm	3181mm	83
	THRUSAFE - 2m Platforms w/2 End Stirrups	737mm	625mm	1030mm	1378mm	2032mm	2216mm	60
	THRUSAFE - 1m Platforms w/2 End Stirrups	737mm	625mm	1030mm	1378mm	991mm	1175mm	30
PFD3100D	THRUSAFE - 3m Deck Section	718mm	616mm	364mm	130mm	2915mm	2991mm	29.5
PFD3200D	THRUSAFE - 3m Side Section	38mm	-	330mm	437mm	2883mm	2934mm	17
PFD3300B	THRUSAFE - 3m Handrails	38mm	-	-	45mm	-	2921mm	5
PFD2100D	THRUSAFE - 2m Deck Section	718mm	616mm	364mm	130mm	1949mm	2026mm	21
PFD2200D	THRUSAFE - 2m Side Section	38mm	-	330mm	437mm	1886mm	1937mm	12
PFD2300B	THRUSAFE - 2m Handrails	38mm	-	-	45mm	-	1956mm	4
PFD1100D	THRUSAFE - 1m Deck Section	718mm	616mm	364mm	130mm	908mm	984mm	10.5
PFD1200D	THRUSAFE - 1m Side Section	38mm	-	330mm	437mm	851mm	901mm	6.4
PFD1300B	THRUSAFE - 1m Handrails	38mm	-	-	45mm	-	901mm	2
PFD0500B	THRUSAFE - Platform "U" Connector (3 pcs. bolted together)	737mm	625mm	-	1235mm	-	165mm	20
PMR0100B	THRUSAFE - Platform End Stirrup (6 pcs. bolted together)	737mm	625mm	1235mm	1424mm	-	165mm	36

3. TECHNICAL SPECIFICATIONS FOR THRUSAFE

Fig. 1



3.1 MODULAR COMBINATIONS FOR VARIOUS PLATFORM LENGTHS

3.1.1 PLATFORM WITH END STIRRUPS

Nominal Lengths	(imperial)	(metric)
Platform length:	6'-6"	(2 m)
Platform length:	9'-9"	(3 m)
Platform length:	13'-0"	(4 m)
Platform length:	16'-6"	(5 m)
Platform length:	20'-0"	(6 m)
Platform length:	23'-0"	(7 m)
Platform length:	26'-0"	(8 m)
Platform length:	29'-6"	(9 m)
Platform length:	33'-0"	(10 m)
Platform length:	36'-0"	(11 m)
Platform length:	39'-6"	(12 m)
Platform length:	42'-6"	(13 m)
Platform length:	46'-0"	(14 m)
Platform length:	49'-0"	(15 m)



WARNING: All units above must be used with two End Stirrup suspension systems!



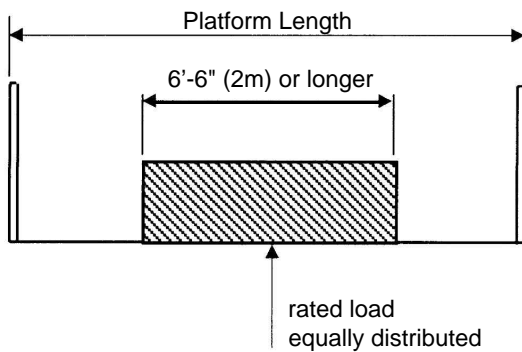
3.2 LOAD RATINGS FOR VARIOUS PLATFORM LENGTHS

3.2.1 Platform with End Stirrups

LOAD RATINGS FOR VARIOUS PLATFORM LENGTHS					
Nominal Platform Length ft. – in (m)		Platform weight with Thrusafe Platform End Stirrups including hoists		Rated Load of the Platform lbs. (kg)**	
6'-6" (2)	(2)	542	(246)**	750	(340)
9'-9" (3)	(3)	593	(270)**	750	(340)
13'-0" (4)	(4)	719	(327)	1000	(450)
16'-6" (5)	(5)	770	(350)	1250	(570)
20'-0" (6)	(6)	821	(373)	1500	(680)
23'	(7)	931	(423)	1500	(680)
26'-0" (8)	(8)	998	(454)	1500	(680)
29'-6" (9)	(9)	1049	(477)	1500	(680)
33'-0" (10)	(10)	1159	(527)	1250	(570)
36'-0" (11)	(11)	1226	(557)	1000	(450)
39'-6" (12)	(12)	1277	(580)	750	(340)
42'-6" (13)	(13)	1387	(630)	750	(340)
46'-6" (14)	(14)	1454	(661)	750	(340)
49'-0" (15)	(15)	1505	(684)	750	(340)

*Hoist weight assumed to be 125 lb. (57 kg) ea., two hoists per platform
 For self-weight of the platform deduct 250 lbs. (114kg).
 **Based on 1 platform only!

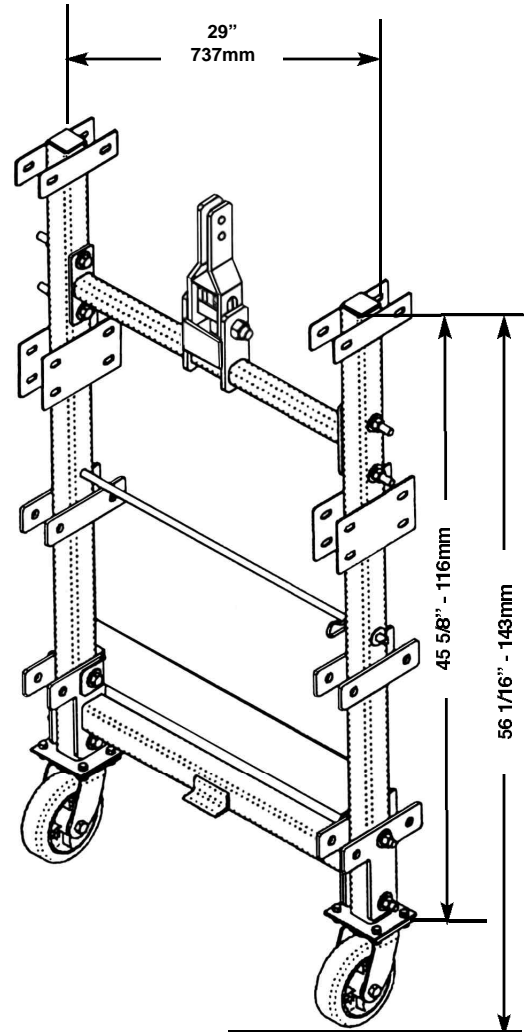
Fig. 4



Note: The rated load should be located in the center of the platform and distributed over the length of at least 6'-6" (2m). (see Fig. 4 above)
 If the load is offset toward a hoist, do not let it exceed the rated load of the hoist less half the self-weight of the platform from the above table.



Fig. 3



PFD0100B

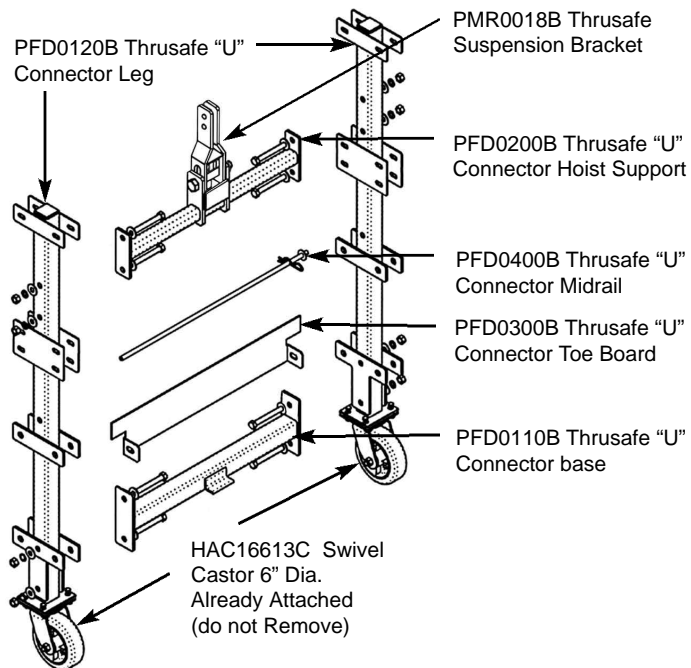
Model Number	Description	Lbs.	Kg.
PFD0100B	End Stirrup	80	36

4.1 ASSEMBLY OF THrusAFE PLATFORM END STIRRUPS - PFD0100B

If required for entry disassemble the Thrusafe "U" Connector End Stirrup (PFD0100B) and reassemble in the working area.

Parts listing for the PFD0100B End Stirrup

Fig. 5



- 1) Align the Connector base (PFD0110B)(Note: "THIS SIDE UP" label on the base, the tabs must be toward the ground) and the Toe Board (PFD0300B)(the tabs on the toe board must be inside the connector base) as shown in Fig. 7.
- 2) Assemble the two Thrusafe "U" Connector Legs (PFD0120B) to the "U" Connector Base (PFD0110B) and Toe board (PFD0300B) (Note: this side up label on the base, the tabs must be toward the ground) with the hardware as shown in Fig. 6. Insert bolt (A) with 1 washer (D) already in place through the Toe Board, Connector Base and Connector Legs. Then add the second washer (D), locking washer (E) and hex nut (C). Repeat till all four bolts are in place and tighten securely. See Fig. 8

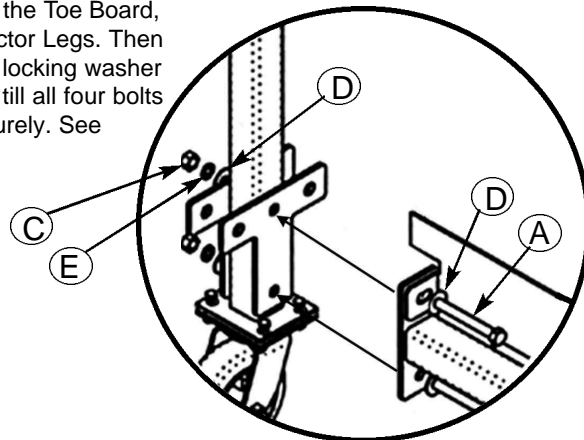
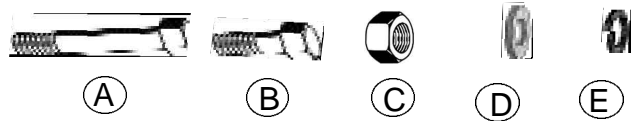


Fig. 6

Hardware for Thrusafe End Stirrup - PFD0100-HW



- A - FA0500402 - 4" x 1/2" Bolt
13 UNC Grade 5 Plated X 8
- B - FA0500202 - 2" x 1/2" Bolt
13 UNC Grade 5 Plated X 8
- C - FN0010502 - 1/2" Hex Nut
13 UNC Grade 5 Plated X 16
- D - FAX1012 - Two 1/2" Flat Washer - Plated X 16
- E - FAZ0512 - 1/2" Locking Washer - Plated X 16

Parts shown are not to scale.



WARNING



Do not substitute hardware with different grade bolts, replacements are available from Tractel or your equipment supplier.

Fig. 7

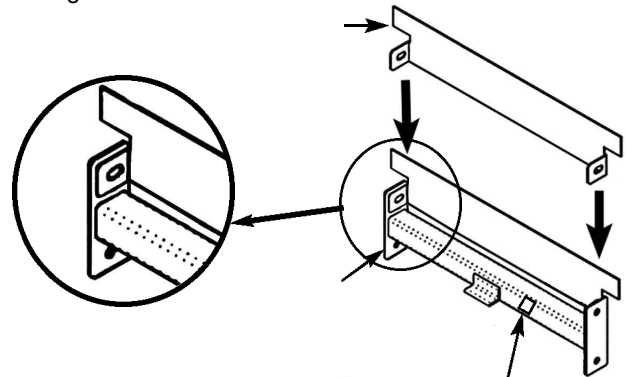
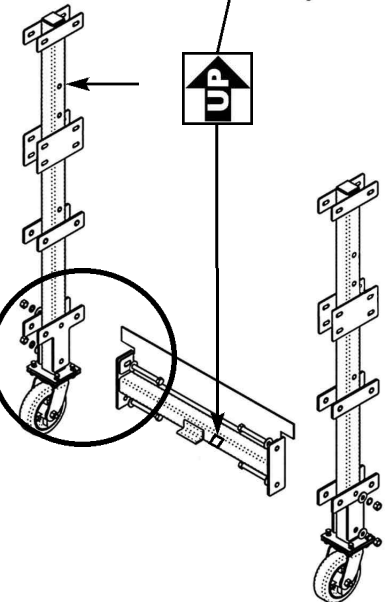


Fig. 8



4.1 ASSEMBLY OF THrusAFE PLATFORM END STIRRUPS (Continued)

3) Connect the Thrusafe "U" Connector Hoist Support (PFD0200B) (Note: this side up label on the Hoist Support, the saddle must be in the upward position) to the Connector Legs (PFD0120B), with the hardware as shown in Fig. 6. Insert bolt (A) with 1 washer (D) already in place through the Hoist Support and Connector Leg. Then add the second washer (D), locking washer (E) and hex nut (C). Repeat till all four bolts are in place and tighten securely. See Fig. 9

4) Then position the Midrail (PFD0400B) starting from the exterior of the Connector Leg (PFD0120B) and insert through to holes on the first leg and into the second connector leg and lock in place with the hairpin provided

Fig. 9

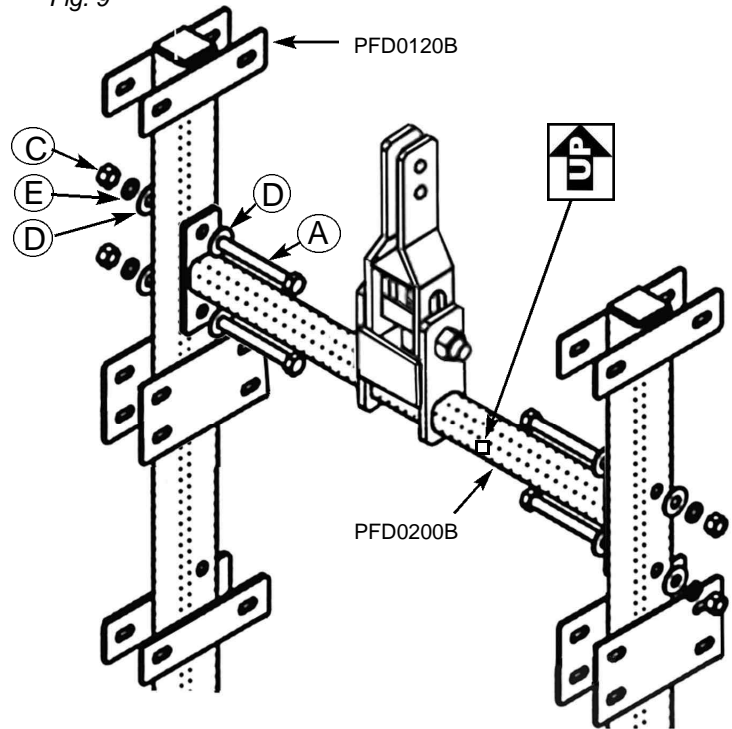


Fig. 10

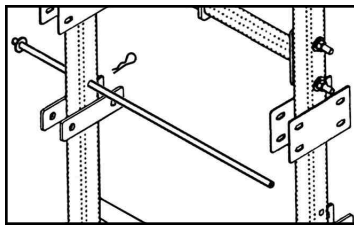
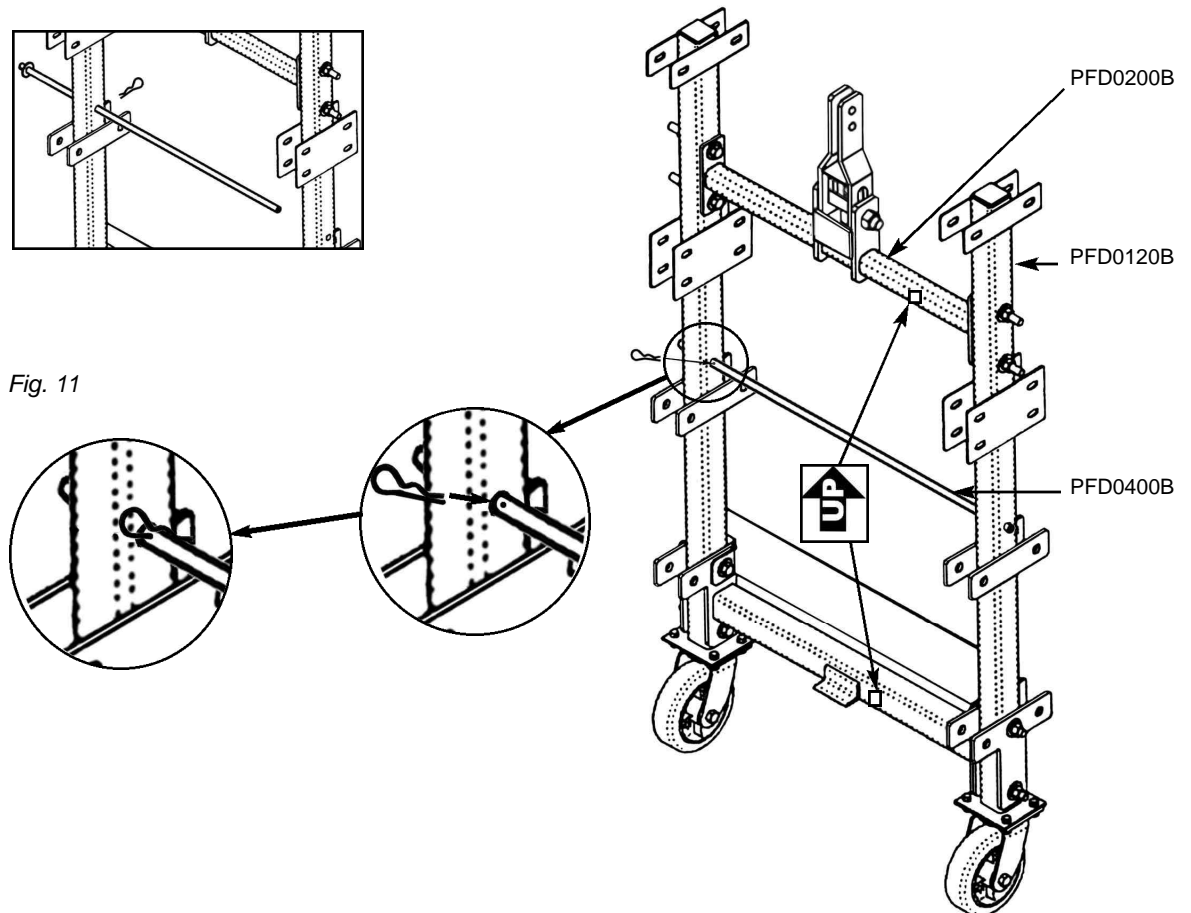


Fig. 11



4.1 ASSEMBLY OF THRUSAFE PLATFORM END STIRRUPS (Continued)

5) The Casters should already be attached and there is no need to remove them. If they are not attached, align the Caster (HAC16613C) to the Connector Leg (PFD0120B) using the remaining hardware shown in fig. 6. Insert bolt (B) into the Connector Leg (PFD0120B) and through the caster (HAC16613C) and connect via the locking washer D and nut C. Repeat until all four bolts are attached. See Fig. 12

6) The Suspension Bracket (PMR0018B) should already be attached to the "U" Connector Hoist Support (PFD0200B) and there is no need to remove. If not attached, align the bracket (PMR0018B) to the hoist support (PFD0200B) as shown in fig. 13. Attach using the Skysafe hoist mounting hardware (PFD0001-HW). Insert the 6" bolt (A) with 1 washer (C) already in place through the bracket and hoist support, then add the second washer (C) and nylock nut (B). See Fig. 13 and 14.

The remaining hardware is provided to attach the hoist, refer to your hoist manual for installation instructions.

Fig. 12

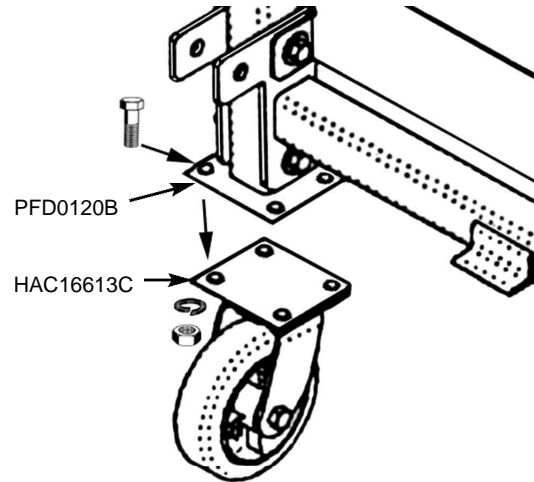


Fig. 13

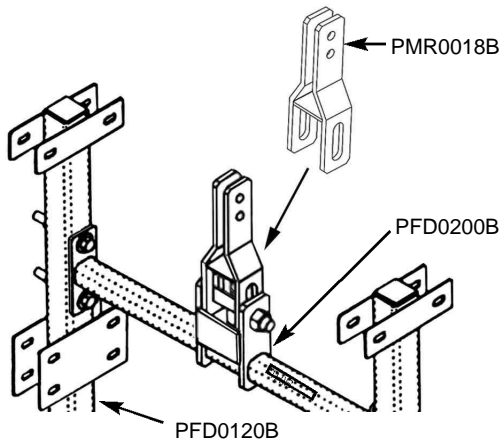
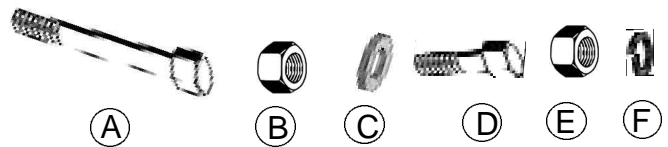


Fig. 14

Hardware for Skysafe Hoist Mounting Hardware - PFD0001-HW (for one hoist only)



- A - FA0750602 - 6" x 3/4" Bolt
10 UNC Grade 5 Plated X 1
- B - FN0020752 - 3/4" Nut Nylock
- 10 UNC Grade 5 plated X 1
- C - FAX1634 3/4" Flat Washer, Plated X 2
- D - FA0500202 - 2" x 1/2" Bolt (for hoist installation)
13 UNC Grade 5 Plated X 2
- E - FN0010502 - 1/2" Hex Nut (for hoist installation)
13 UNC Grade 5 Plated X 2
- F - FAZ0512 - 1/2" Locking Washer - Plated X 2
(for hoist installation)

Parts shown are not to scale.



WARNING



Check that all hardware is secured correctly and that all bolts are fully tightened, before operating the platform!



WARNING



Do not substitute hardware with different grade bolts, replacements are available from Tractel or your equipment supplier.

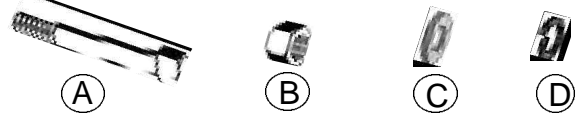
4.2 ASSEMBLY OF THRUSAFE PLATFORM "U" CONNECTOR - PFD0500B

If required for entry disassemble the Thrusafe "U" Connector (PFD0500B) and reassemble in the working area.

- 1) Assemble the two Thrusafe "U" Connector Legs (PFD0120B) to the "U" Connector Base (PFD0110B) (Note: this side up label on the base, the tabs must be toward the ground) with the hardware as shown in Fig. 15. Insert bolt (A) with 1 washer (C) already in place through the Connector Base and Connector Legs. Then add the second washer (C), locking washer (D) and hex nut (B). Repeat till all four bolts are in place and tighten securely. See Fig. 16.

Fig. 15

Hardware for Thrusafe End Stirrup - PFD0500-HW



- A - FA0500402 - 4" x 1/2" Bolt
13 UNC Grade 5 Plated X 4
- B - FN0010502 - 1/2" Hex Nut
13 UNC Grade 5 Plated X 4
- C - FAX1012 - Two 1/2" Flat Washer - Plated X 8
- D - FAZ0512 - 1/2" Locking Washer - Plated X 4

Parts shown are not to scale.

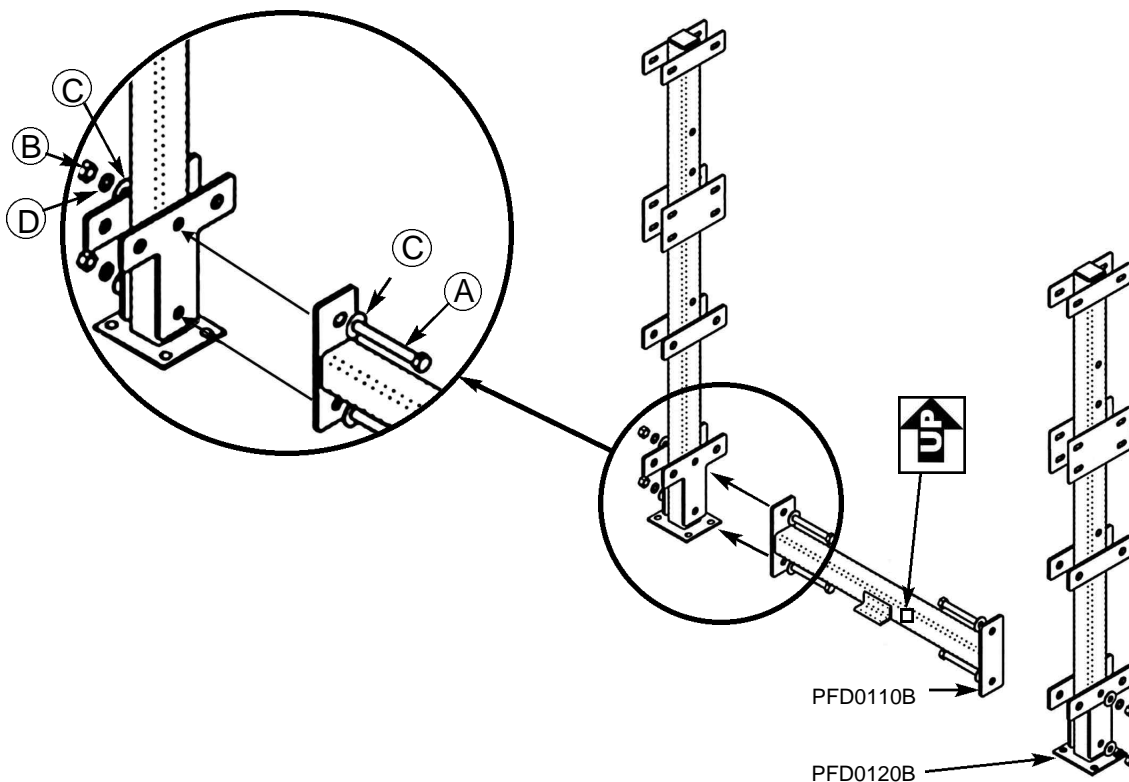


WARNING



Do not substitute hardware with different grade bolts, replacements are available from Tractel or your equipment supplier.

Fig. 16



4.3 ASSEMBLY OF THRUSAFE COMPONENTS INTO MODULAR SECTIONS

Thrusafe Modular Sections are supplied with the deck, two side sections and 4 handrails ready to assemble together. Complete with the following mounting hardware 2 ball lock pins, 8 gravity locking pins and 8 Handrail connecting pins. These sections allow compact storage, ease of transportation and access through restricted openings.



WARNING



THRUSAFE Modular Platforms are **not** compatible to other SKYSAFE platforms or platforms made by others.

Thrusafe platforms are easy to assemble.

- 1 Check components before assembly. Four handrails, two side sections and one deck of equal length are required for any of the 1m, 2m & 3m (3'-3", 6'-6" & 9'-9") assemblies.
- 2 Ensure that both the connecting ends of the deck and the slot at the inside of both side section toeboards are free of debris. Carefully unfold the deck and remove any buildup before assembly. see fig. 17
- 3 Inspect Ball Lock Pins for damage prior to installation.
- 4 Connect the side sections to the deck by aligning the provided holes at the toe board slot (see fig. 18).
5. Secure the components together with ball pins provided. **Do not hammer or force the pins into place.**

Once assembled, THRUSAFE Modular Platform sections can be used with other THRUSAFE Modular Knockdown Platform sections **only if Thrusafe "U" Connector PFD0500B is used at the intermediate connection.**

Fig. 17

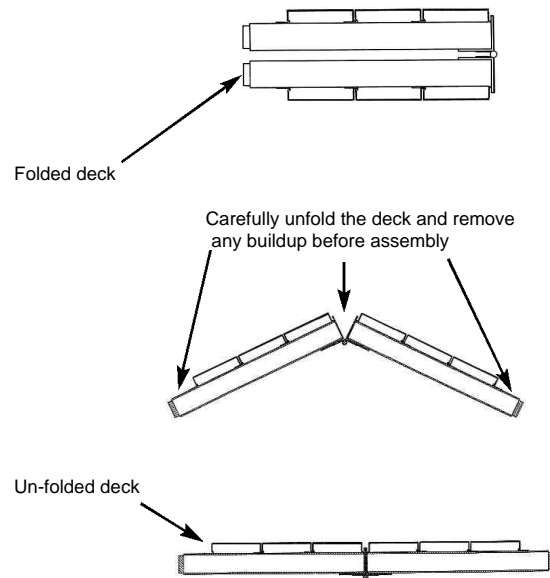
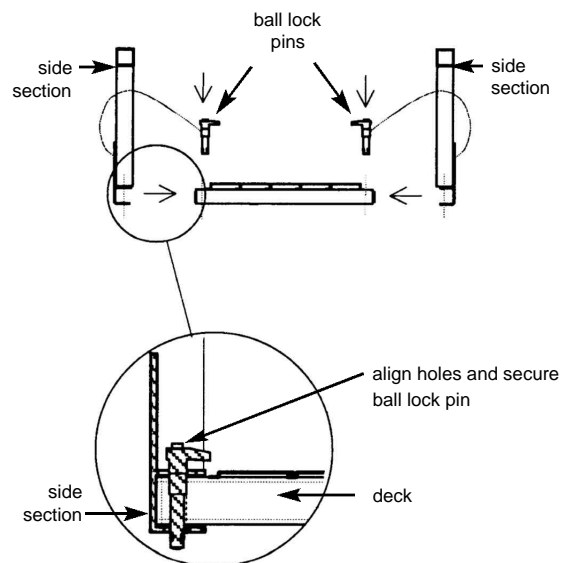


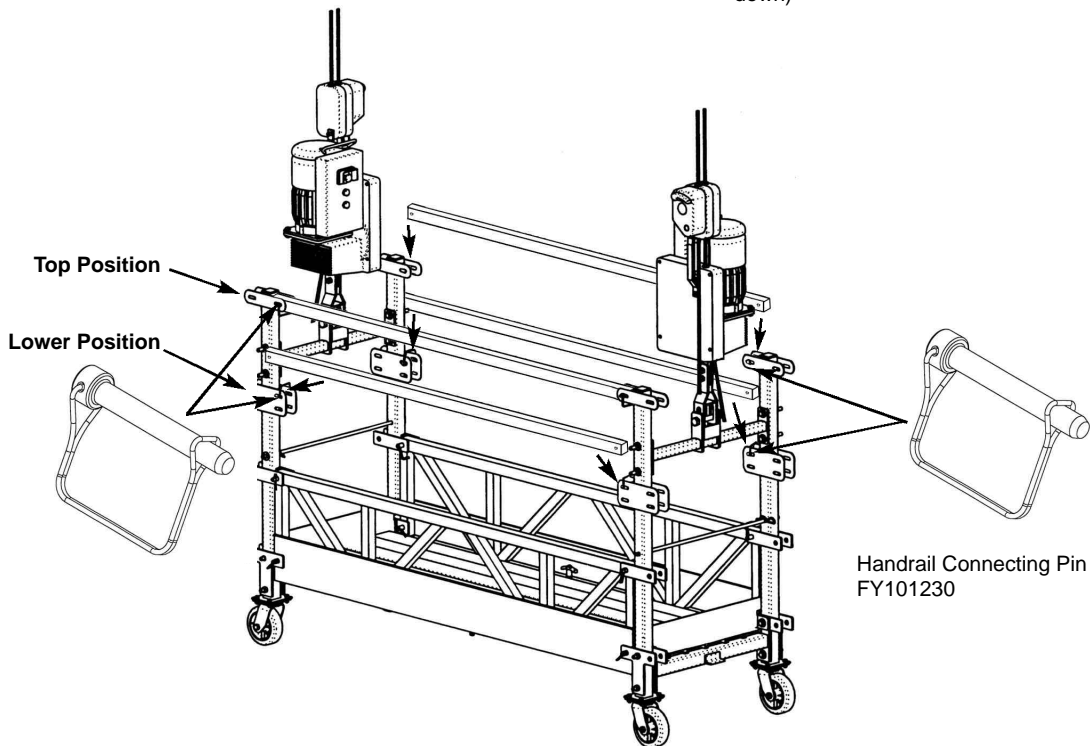
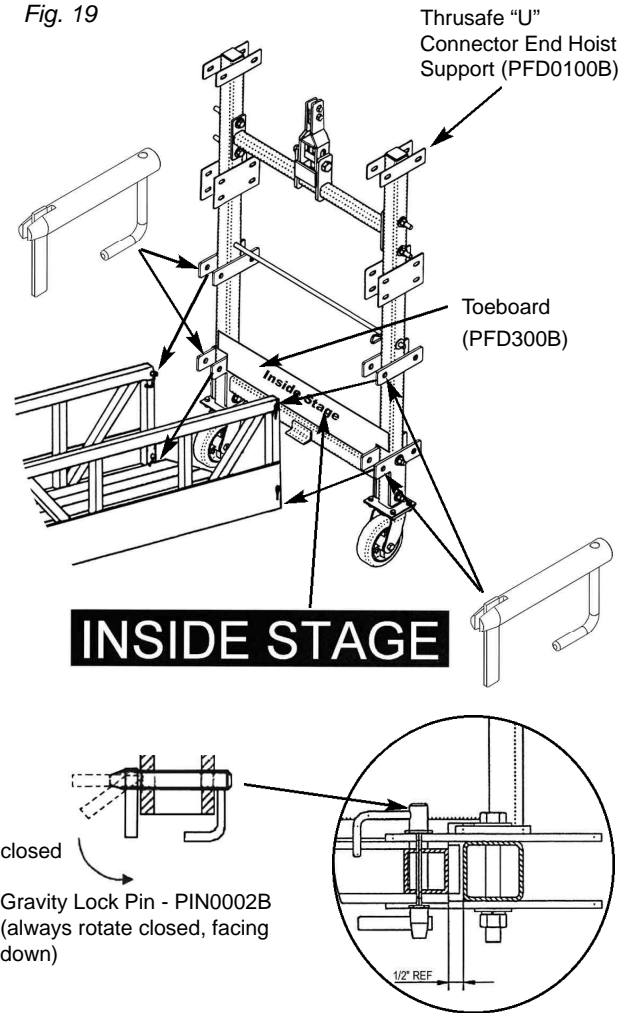
Fig. 18



4.3 ASSEMBLY OF THRUSAFE COMPONENTS INTO MODULAR SECTIONS

- a. Align the Thrusafe platform and the End Stirrup (PFD0100B), (with the **PFD300B Toeboard facing toward the operator (See Fig. 19 - label "Inside Stage")**) on a level surface. Lift the center of the deck so it rests on the center tab of the stirrup (this tab must be facing down, as shown). Align the stirrup pin holes and insert four gravity lock pins (two on each side) from the inside of the platform. **Do not hammer or force the pins into place (see Fig. 19).**
- b. Use only the supplied 5/8 inch diameter gravity lock pins. Make sure that the pins are not worn, bent or otherwise damaged. Never substitute alternative pins or bolts.
- c. After each pin is installed, ensure that the gravity lock is rotated closed and nearest to vertical to prevent the pin from dislodging (see Fig. 19).
- d. Pin the four handrails in place with the handrail connecting pins (FY101230) and lock in place (See fig. 20). Two handrails in the top bracket position and two on the lower brackets. Once the platform is in working position, the working side guardrail may be lowered and placed in the storage position to provide easier access. See Fig. 24
- e. Bring a hoist to the top of the end stirrup (mount the hoist with the controls facing towards the operator), the **PFD300B Thrusafe "U" Connector End Deck (See the "inside stage" sticker must also be facing toward the platform deck.**
- f. Attach the hoist, with the controls facing towards the stage to the stirrup using mounting hardware provided by your supplier. See Fig. 20.

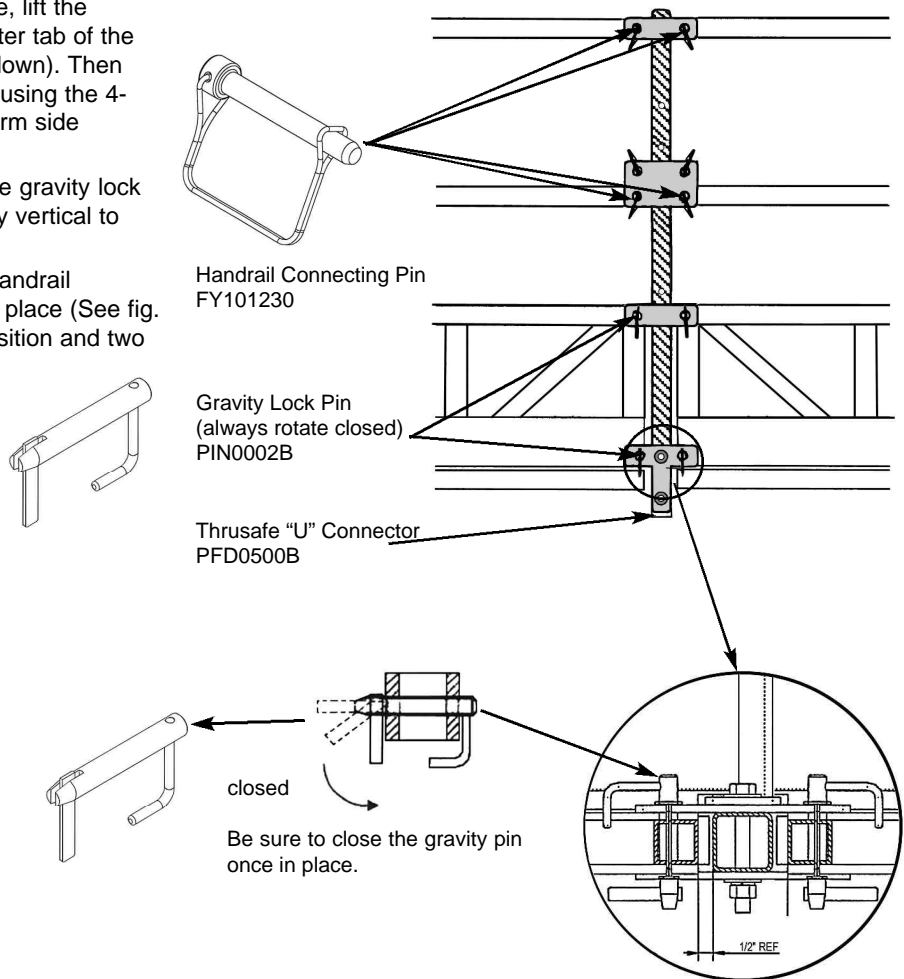
Fig. 19



For platforms with more than one section, it is necessary to assemble the modules together with a **Thrusafe "U" Connector PFD0500B (per the configuration chart) is used at the intermediate connections.**

- a. Build the required modules for the specific platform length.
- b. Align the platform sections on a level surface.
- c. Adjacent platforms are only connected with **Thrusafe "U" Connector PFD0500B (See Fig. 21).**
- d. Lift the center of the deck so it rests on the center tab of the "U" Connector (this tab must be facing down). Then use 4 gravity lock pins provided with the Platform side panels to attach the U-Connector to the end of the Platform Section. Always insert gravity lock pins from the inside of the platform. **Do not hammer or force the pins into place (See Fig. 21).**
- e. Use only the supplied 5/8 inch diameter gravity lock pins. Make sure that the pins are not worn, bent or otherwise damaged. Never substitute alternative pins, bolts or any other connector for the U-Connector PFD0500B.
- f. Bring the next Platform section into place, lift the center of the deck so it rests on the center tab of the "U" Connector (this tab must be facing down). Then align it to the U-Connector and connect using the 4-gravity lock pins connected to the Platform side panels.
- g. After each pin is installed, ensure that the gravity lock is rotated closed (See fig. 21) and nearly vertical to prevent the pin from dislodging.
- h. Pin the four handrails in place with the handrail connecting pins (FY101230) and lock in place (See fig. 21). Two handrails in the top bracket position and two on the lower brackets. Once the platform is in working position, the working side guardrail may be lowered and placed in the storage position to provide easier access. See Fig. 24

Fig. 21



4.3 ASSEMBLY OF BUMPER ROLLERS (model C25302)

- Place the bumper rollers such that the two slots of its bracket are completely engaged over the platform toeboard.
- Tighten the locking screw to secure the bumper roller to the toeboard.

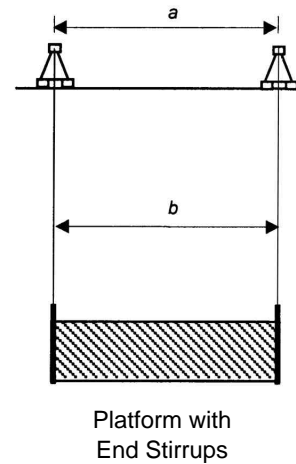
4.4 INSTALLATION OF SWIVEL CASTERS FOR Thrusafe "U" Connector End Hoist Support (model PFD0100B)

- If a caster is not installed to the Thrusafe End Stirrup, bolt it to the bottom of the stirrup with four 1/2" -13 UNC x 1" inch long SAE grade 5 or better bolts and nuts with lock and flat washers See Fig12.

4.5 SET UP OF PRIMARY AND SECONDARY WIRE ROPES

- Use only wire ropes as specified by the hoist manufacturer.
- Before setting up the wire ropes, ensure that the suspension points are capable of supporting the hoist, platform and its rated load with the required safety factors according to regulations.
- Ensure that the distance (a) between the suspension points is equal to the distance (b) between the platform stirrups. The wire ropes must be vertical and parallel to each other for proper operation of the platform. (see Fig. 22).
- Unreel the wire ropes at ground level, and pull them to the top of the building using a transfer line. **Never unreel or throw a wire rope from the top of the building.**
- Attach each wire rope to an independent suspension point.
- If using 2 ropes check that the distance between the dual wire ropes of the hoist is the same at both the top and bottom ends.
- All personnel must be independently tied off to a separate vertical lifeline when using a 1 rope system.
- When using a dual line, all personnel must be tied off to the horizontal lifeline on the platform.

Fig. 22



4.6 SET UP OF OUTRIGGERS AND COUNTERWEIGHT SYSTEM



CAUTION:



Always ensure that the floor or roof structure can safely sustain the loads of the necessary counterweights, beams and scaffold, including reactions at the building edge. If in doubt ask!

Note #1: All anchoring devices must be secured to a structurally sound anchorage on the building or structure by a tieback having strength equivalent to or greater than that of the hoisting rope. If tiebacks cannot be perpendicular to the face of the building or structure, opposing angle tiebacks shall be used. Single tiebacks at an angle are prohibited. Refer to the manufacturers instruction manuals of the suspension equipment.



Note #2: The use of any suspended scaffold is unsafe without:



- Guardrails, midrails and toeboards on all sides of the scaffold platform in accordance with OSHA regulations, State, Provincial and Local codes. It is of the utmost importance to include these components when using suspended scaffold.
- Personal fall arrest systems in use that comply with OSHA regulations, State, Local and Provincial codes.



WARNING:



On counterweight suspension systems, it is essential for safety that all the counterweights be marked with their weight, solid in weight and secured on the suspension structure. Total amount and location of counterweight must be calculated by a professionally competent person according to applicable regulations and checked before each use, at least daily.



WARNING:



Never exceed the allowable outreach/overhang length as per the counterweight chart. Consult the supplier or manufacturer for such conditions which must be treated on an individual basis and may involve different materials or methods.

5. CHECKS BEFORE OPERATING THE PLATFORM

Before starting use on a new site, make a general review, of the entire area where an obstacle or dangerous items, (especially electrical equipment or lines) may be located in the possible way of the platform or of the suspension system. Before using the platform, the following checks must be carried out by a qualified person.



WARNING:



Ensure that the load does not exceed the rated load of the platform, hoist or rigging. See load rating chart on page 11.

5.1 Suspension points and support equipment

- Check that all suspension points of the wire ropes used with each platform (primary, and secondary wire ropes) have been properly attached. Refer to the manual of the suspension equipment manufacturer.
- Check security of support equipment and ensure that the required number of counterweights and tiebacks are safely fitted and locked in place. Refer to the manufacturer's manual of that component.
- Ensure that the support equipment is directly above the intended work area of the platform in order to avoid excessive lateral forces on the support equipment. (see Fig 22 – page 19).

5.2 Platform

- Before using the platform, check the structure and all parts for proper operation and that they are free from damage. Do not use a platform which is damaged or not operating properly
- Check that all connectors, pins, nuts and bolts are securely installed and fastened.
- Check the mounting connections of the hoists.
- Ensure that the platform is structurally intact.
- Ensure that the load does not exceed the rated load of the platform, hoist or rigging.
- Ensure that the platform is clear of any snow, ice, debris or other material.
- Ensure that the labels (see pages 24 to 28) on each section are in place and legible. Replacement labels can be supplied on request.
- Guardrails are secured in the raised position onto the platform.

5.3 Hoists



WARNING:



- Refer to the manual of the hoist manufacturer.
- Check if the power supply is compatible with the requirement of the hoist.
- Check if the cable size of the power cord is sufficient.
- Check that the hoists, blocstop and emergency switches function properly.
- Check that power cord has strain relief to avoid damage.

5.4 Wire ropes

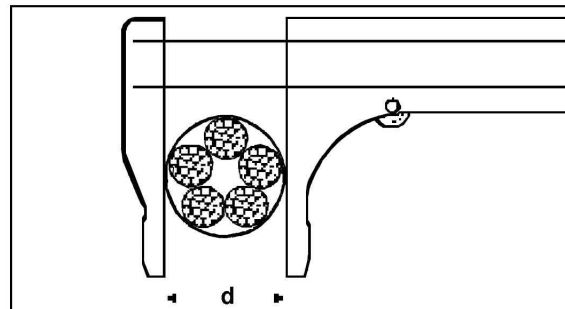
- Refer to the manual of the hoist manufacturer.
- Visual check of wire ropes.

NOTE: Only wire ropes specified by the hoist manufacturer should be used. Regularly lubricate the wire ropes. Wire ropes must be replaced if any of the following defects are found:

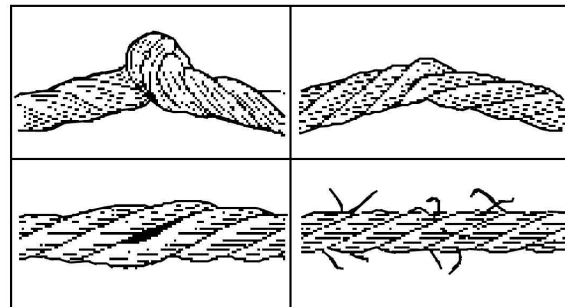


- more than 7 wires broken on a length of 1 foot (300 mm).
- kinking, crushing, birdcaging or any other distortion of the wire rope construction.
- corrosion.
- heat damage.
- reduction of nominal diameter of more than 10%.
- refer to wire rope manufacturer if in doubt.
- If using intermediate stirrups check that the wire rope is reeved through the sheaves and seated properly in the "U" of the sheave.

Fig. 23



- Correct method of measuring wire rope diameter



- Examples of damaged wire ropes

6. USE AND OPERATION OF THE PLATFORM



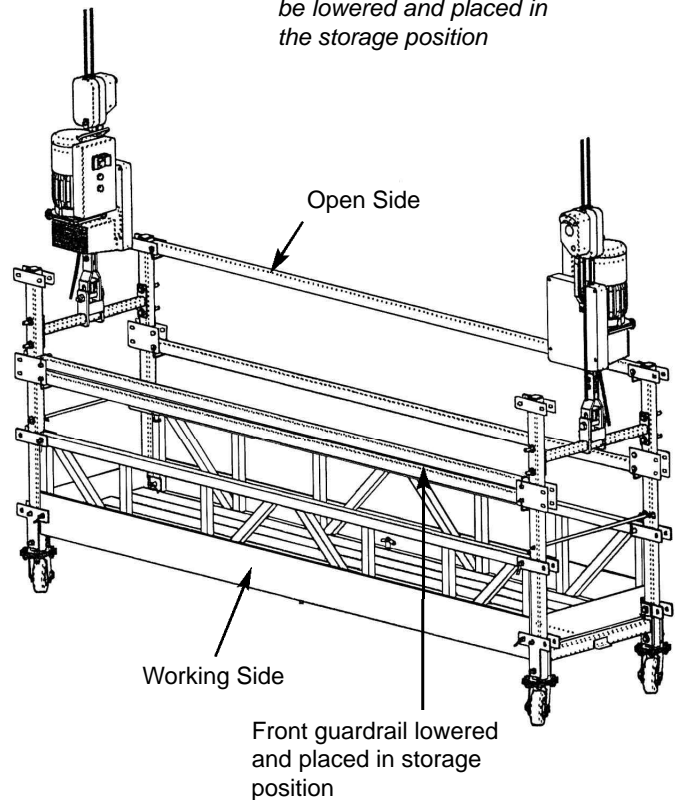
CAUTION!



- Never operate the platform without a personal fall arrest system in use.
- Barricade the area below the platform whenever possible.
- Maximum allowable wind speed in service is 25 mph. (40kph)
- Tie or secure the suspended scaffold to prevent it from swaying as sudden gusts of wind may occur in some areas, as determined to be necessary by a competent person. Tie and secure the equipment and disconnect power when it is left unattended. Refer to applicable regulations. Never leave unattended suspended platform fitted with weather enclosure
- Each electric hoist is controlled independently using a push button control fitted with up and down buttons and an emergency stop button. While Air Hoist are controlled by a directional control level instead of push buttons.
- Raise and lower the platform a small height at the start of each day to check its operation and braking mechanisms.
- Press the up button. The platform should lift. If not, call an electrician to check the power supply. Never operate the platform if lifting is through the down button.
- Keep the platform level. To level the platform back in its horizontal position only operate one of the two hoists.
- Take a first aid kit, radio and fire extinguisher for emergency.
- Never stand on the railing!
- Set the platform down on a safe support and remove tension from wire rope before moving the support equipment or platform.
- Have a rescue plan ready in case of emergency.
- Operating people should have been trained on rescue procedures before use.
- Once the platform is in working position, the working side guardrail may be lowered and placed in the storage position to provide easier access. See Fig. 24

Fig. 24

Once the platform is in working position, the working side guardrail can be lowered and placed in the storage position



WARNING



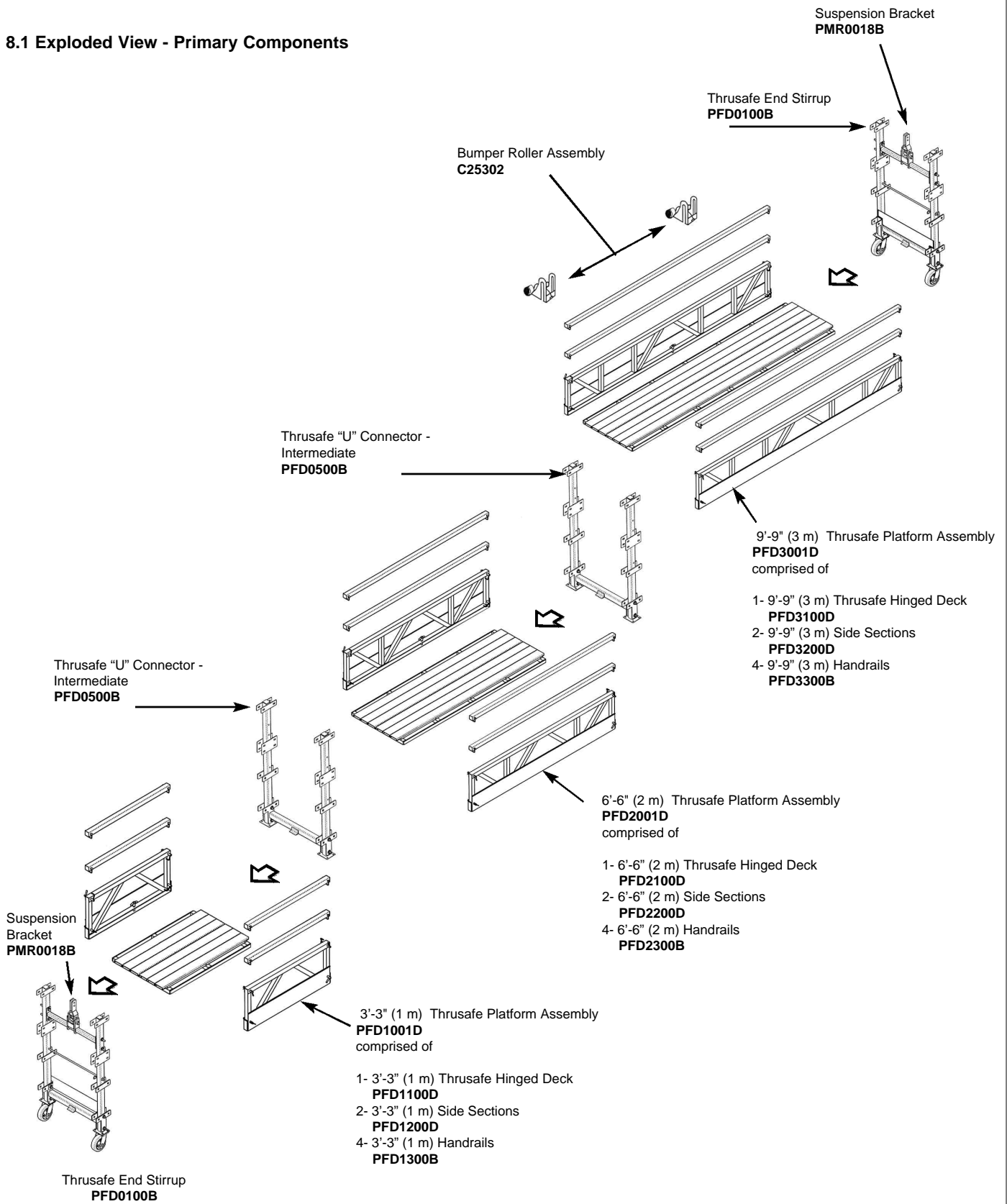
Only on the working side of the platform can the guardrail be lowered to the storage position once in working position. Never lower the open side guardrail for any reason!

7. INFORMATION FOR MAINTENANCE

- Maintenance may only be carried out by personnel authorized by Tractel.
- Inspection is to be carried out by competent person before each rigging of the platform.
- Inspection by persons authorized by Tractel. is to be carried out once every six months or every 200 hours.
- Operating life of platform depends on number of hours in service, operating and weather conditions.

8. BOILER PLATFORM COMPONENTS

8.1 Exploded View - Primary Components



8.2 Component and Spare Part Product Codes

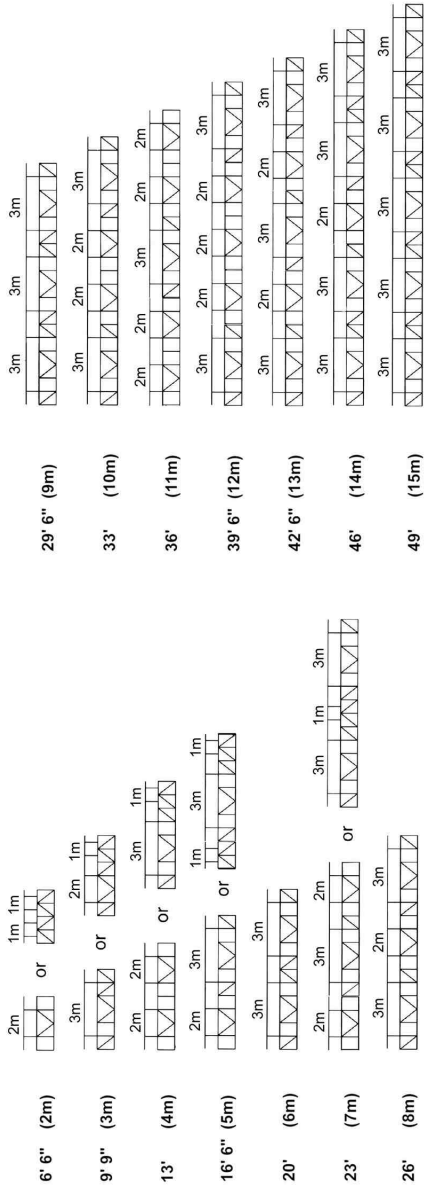
COMPONENTS

<u>Tractel Code No.</u>	<u>Description</u>	<u>Lbs.</u>	<u>(kg)</u>
PFD3001D	THRUSAFE - 3m Platform Assembly	183	(83)
PFD2001D	THRUSAFE - 2m Platform Assembly	132	(60)
PFD1001D	THRUSAFE - 1m Platform Assembly	65	(30)
	Comes with 4 handrails, 2 Side Sections and 1 Deck Section		
	A Thrusafe "U" Connector must be ordered to join 2 units together!		
PFD3100D	THRUSAFE - 3m Hinged Deck Section	65	(29.5)
PFD3200D	THRUSAFE - 3m Side Section	37	(17)
PFD3300B	THRUSAFE - 3m Handrails	11	(5)
PFD2100D	THRUSAFE - 2m Hinged Deck Section	46	(21)
PFD2200D	THRUSAFE - 2m Side Section	27	(12)
PFD2300B	THRUSAFE - 2m Handrails	8	(4)
PFD1100D	THRUSAFE - 1m Hinged Deck Section	23	(10.5)
PFD1200D	THRUSAFE - 1m Side Section	14	(6.4)
PFD1300B	THRUSAFE - 1m Handrails	4	(2)
PFD0500B	THRUSAFE - Platform "U" Connector	45	(20)
PFD0100B	THRUSAFE - Platform End Stirrup	80	(36)
PFD0110B	THRUSAFE - "U" Connector Base	11	(5)
PFD0120B	THRUSAFE - "U" Connector Leg	36	(16)
PFD0200B	THRUSAFE - "U" Connector Hoist Support	12	(6)
PFD0300B	THRUSAFE - "U" Connector End Deck	4.5	(2)
PFD0400B	THRUSAFE - "U" Connector Midrail	1.75	(.8)
PIN0002B	THRUSAFE - Gravity Pin Lock	0.5	(0.2)
FY101230	THRUSAFE - Handrail Connecting Pin	0.3	(0.1)
FY105315	THRUSAFE - Ball Lock Pin for Side/Deck Connection	0.5	(0.2)
HAC16613C	THRUSAFE - Castor for "U" Connector End Hoist Support	7.5	(3.4)
C25302	THRUSAFE - Bumper Roller Assembly	5.0	(2.3)
HAB212607	THRUSAFE - Roller for Bumper Roller Assembly	0.5	(0.2)
PFD0500-HW	THRUSAFE - Bolt/Nut Kit for "U" Connector	0.6	(.3)
PFD0100-HW	THRUSAFE - Bolt/Nut Kit for End Stirrup	1	(.5)
PFD0001-HW	THRUSAFE - Hoist Mounting Hardware	1	(.5)

8.3 Labels and Markings

LOAD RATINGS AND CONFIGURATION CHART FOR THRU SAFE PLATFORMS WITH END STIRRUPS

Platform Length ft. (m)	Load Rating with End Stirrups lb. (kg)
6' 6" (2m)	750 (340)
9' 9" (3m)	750 (340)
13' (4m)	1000 (450)
16' 6" (5m)	1250 (570)
20' (6m)	1500 (680)
23' (7m)	1500 (680)
26' (8m)	1500 (680)
29' 6" (9m)	1500 (680)
33' (10m)	1250 (570)
36' (11m)	1000 (450)
39' 6" (12m)	750 (340)
42' 6" (13m)	750 (340)
46' (14m)	750 (340)
49' (15m)	750 (340)



WARNING

(1) End stirrups cannot be used beyond 49ft. (15m)



(2) The rated load is to be located in the center of the platform and distributed over a length of at least 6' 6" (2m). If the load is offset towards a hoist, do not let it exceed the rated load of the hoist less half the self weight of the platform.

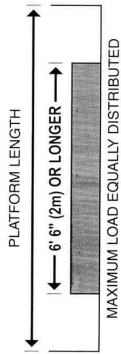



Fig. 25


8.3 Labels and Markings

FIG. 26

THRUSAFE PLATFORM - 1M

MODEL NO. PFD 01 
GripHoist Division


MFG DATE SER NO.

MFG'D BY 
Swingstage Division
GRIPHOIST is a registered trademark of Tractel Inc.
SWINGSTAGE is a registered trademark of Tractel Ltd.


PART # SPLB051A

FIG. 27

THRUSAFE PLATFORM - 2M

MODEL NO. PFD02 
GripHoist Division


MFG DATE SER NO.

MFG'D BY 
Swingstage Division
GRIPHOIST is a registered trademark of Tractel Inc.
SWINGSTAGE is a registered trademark of Tractel Ltd.


PART # SPLB052A

FIG. 28

THRUSAFE PLATFORM - 3M

MODEL NO. PFD03 
GripHoist Division

MFG DATE SER NO.

MFG'D BY 
Swingstage Division
GRIPHOIST is a registered trademark of Tractel Inc.
SWINGSTAGE is a registered trademark of Tractel Ltd.

PART# SPLB053A

8.3 Labels and Markings

FIG. 29

INSIDE STAGE

FIG. 30

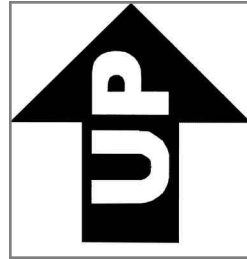
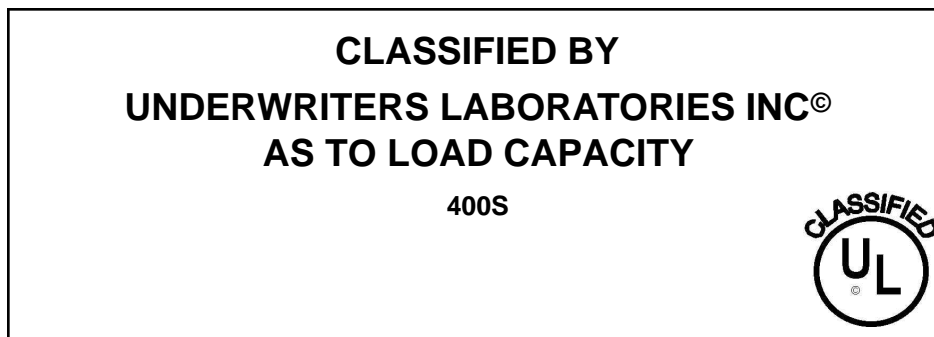
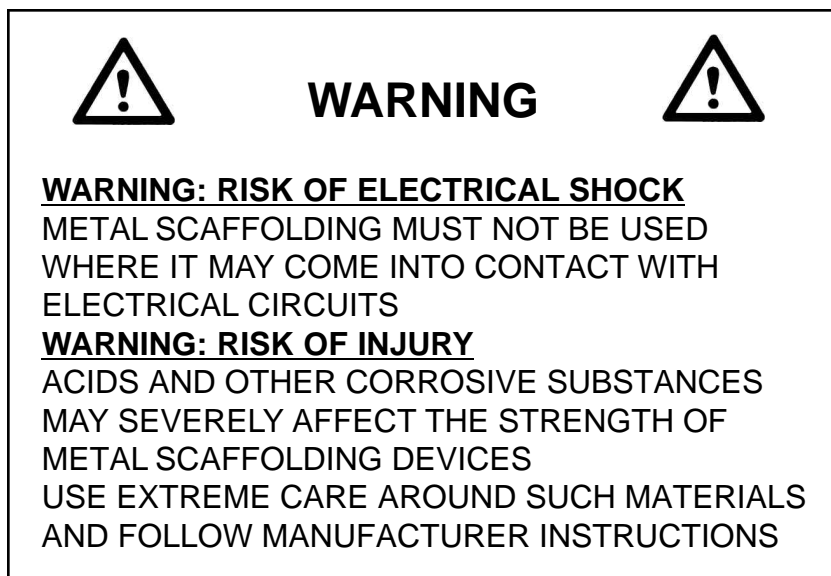


Fig. 31



PART # SPLB027B

FIG. 32



PART #SPLB013A

FIG. 33

THRUSAFE PLATFORM ASSEMBLY INSTRUCTIONS

**Read the instruction manual delivered with this product before use!
In case of loss a new one can be obtained on request.**

1. Before using, check structure and all parts for proper operation and are free of damage. Do not use a platform or parts which are damaged or not operating properly. Use only original gravity lock pins, ball quick release pins, bolts and nuts. replacements can be obtained from your supplier.
2. Assemble End Stirrups including the End Deck facing toward the stage using the 1/2"x 4" bolts 13 UNC grade 5 plated, 1/2" hex nuts 13 UNC grade 5 plated, washers and locking washers. The assemble the Midrail Bar and lock in place with the locking pin provided.
3. Assemble Intermediate "U" Connector using the 1/2"x 4" bolts 13 UNC grade 5 plated, 1/2" hex nuts 13 UNC grade 5 plated, washers, and locking washers.
4. When assembling the Thrusafe Platform align the platform sections on a level surface and attach each side panes to the unfolded floor deck using the ball lock quick release pin.
5. Connect the platform side sections and End Stirrup using four gravity lock pins. Ensure the Toe Board is facing toward the stage when attaching. Insert the pins from the inside of the platform and rotate each pin to a vertical position, to prevent the pin from dislodging. **Do not hammer pins into place or use undue force.**
6. Only connect the platform in the approved combinations provided on the label for platform section combinations. See label on this platform for details.
7. Connect adjacent platform sections using the 1 Intermediate "U" Connector and 8 gravity lock pins. Insert the pins from the inside of the platform and rotate each pin to a vertical position, to prevent the pin from dislodging. **Do not hammer pins into place or use undue force.**
NEVER CONNECT A THRUSAFE PLATFORM WITH ADJACENT PLATFORM SECTION WITHOUT A "U"-CONNECTOR.
8. Mount the four handrails (per platform) with handrail pins attached to the upper and mid positions of the platform. The working side handrail maybe lowered to the storage position once the platform is in the working position.
9. The platform can be suspended from any approved hoist with a capacity and mounting attachment, which is compatible with the platform configuration being used.
10. The hoisting attachment must be securely bolted to the stirrup using 1/2" diameter bolts grade 5 or better. Mount the hoist with the control box facing toward the stage.

PART # SPLB043A



FIG. 34

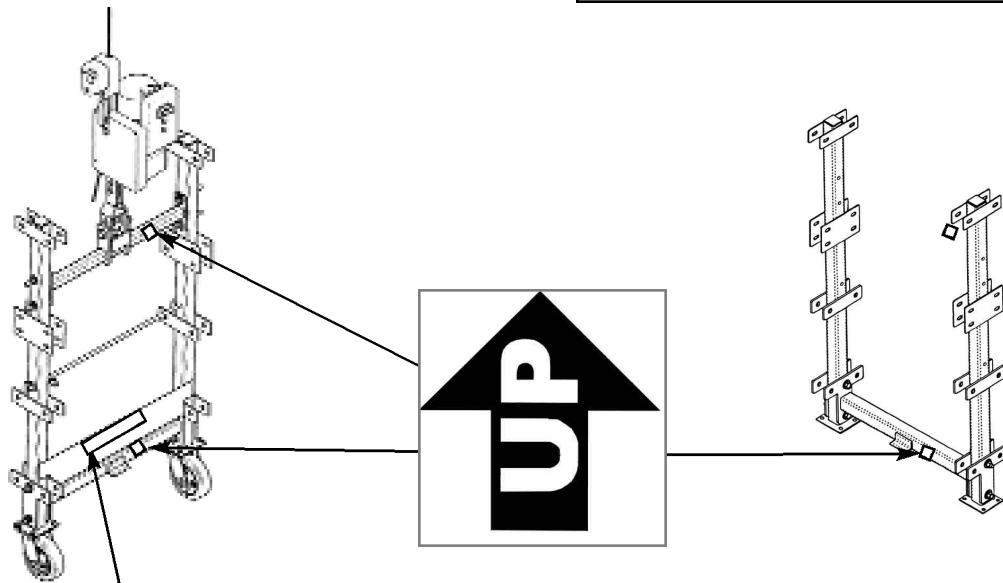
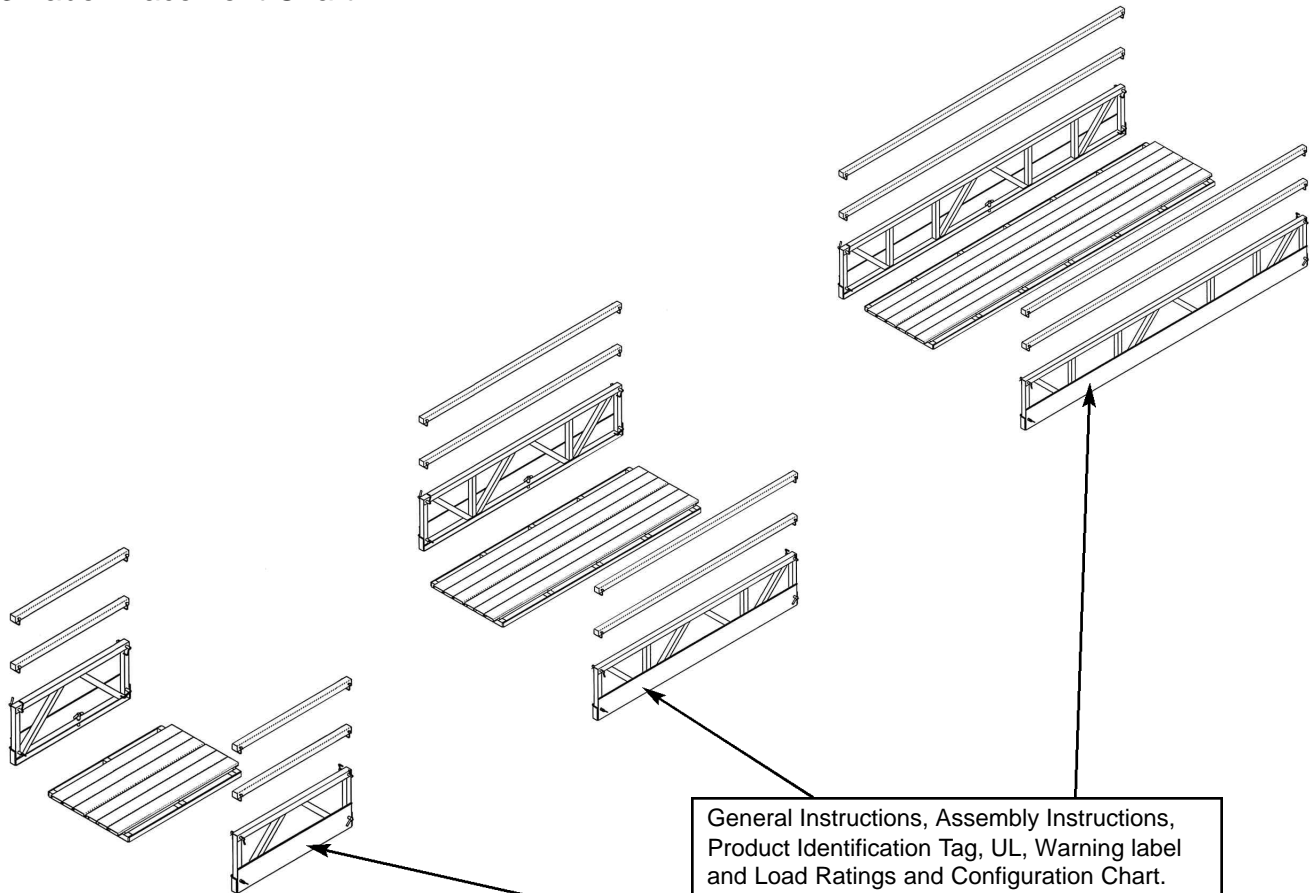
General Instructions

**Read the instruction manual delivered with this product before use!
In case of loss a new one can be obtained on request.**

- A. Before using, check structure and all parts for proper operation and are free of damage. Do not use a platform which is damaged or not operating properly.
 - B. A platform or platform part must be immediately removed from service and destroyed when exposed to excessive heat, as in the case of fire, due to loss of structural strength.
 - C. Decking must be free of oil, grease or slippery material.
 - D. Do not use this platform if the decking surface is damaged or has deteriorated.
 - E. Platform with intermediate stirrup and overhang ends must be configured as per label.
 - F. Refer to label for load capacity of platform configuration and overhang ends in use. The total combined weight of each worker and all materials should not exceed the rated load. Do not overload platform or overhang end.
 - G. Assemble the platform on a safe and level working surface.
 - H. Do not allow unrestrained objects, such as barrels, boxes, loose brick, tools and debris to accumulate on decking.
 - I. Do not use a ladder or other items to step on to gain higher access.
 - J. Never step from a suspended platform to a building access or vice versa unless the platform is firmly secured up along the building access and placed in a situation being as safe as on the ground level.
 - K. Do not apply impact loads to a platform. Never attempt to straighten a deformed side rail or decking member.
 - L. Do not use acids or other corrosive substances on a platform without consulting the manufacturer for specific instructions.
 - M. Do not use platform in the vicinity of electrical circuits. (Refer to Local Regulations.)
 - N. Before rigging inspect the site to view hazard, consult a specialist if required.
 - O. Fall protection hardware is required.
- NOTE: Recommendations regarding grounding precautions may be considered.



8.3 Label Placement Chart



INSIDE STAGE

Contact us at:

**Tractel Inc.
Griphoist Division
51 Morgan Drive
Norwood, MA 02062
Tel: (781) 401-3288
Toll Free 1-800-421-0246
Fax: (781) 828-3642**

**Tractel Inc.
315 Cloverleaf Drive, Unit E
Baldwin Park, CA 91706
Tel: (626) 937-6727
Fax: (626) 937-6730**

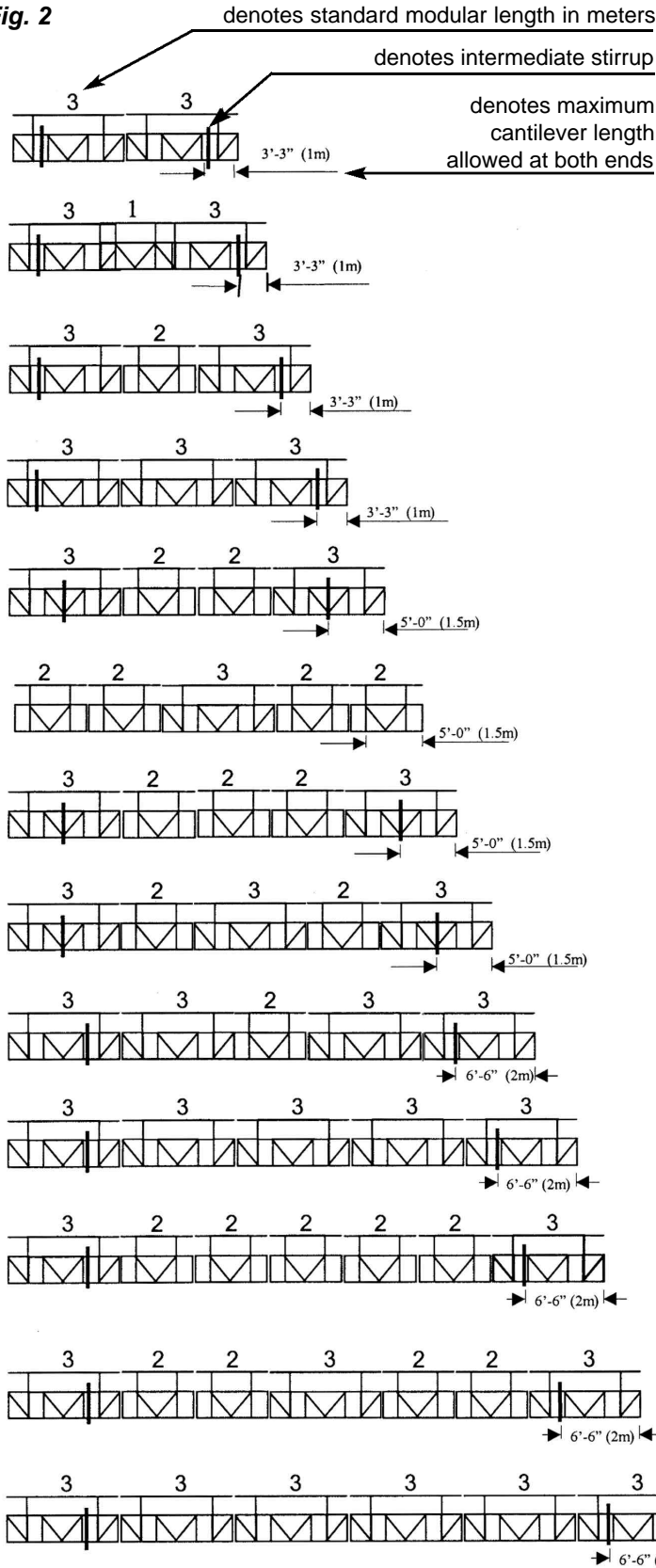
**Tractel Ltd.
Griphoist Division
11020 Mirabeau
Anjou, Quebec H1J 2S3
Toll Free 1-800-561-3229
Tel: (514) 493-3332
Fax: (514) 493-3342**

As we are dedicated to continuous improvement of our products, the TRACTEL GROUP reserves the right to modify the specifications of the equipment described in this manual. As a result, illustrations may not represent exactly the product you receive: components and/or design may differ.

The companies of the TRACTEL GROUP and their agents or distributors will supply on request descriptive documentation on the full range of TRACTEL products: lifting and pulling machines, permanent and temporary access equipment, safety devices, electronic load indicators, accessories such as blocks, hooks, slings, ground anchors, etc.

3.1.2 Platform with Intermediate Stirrups

Fig. 2



Nominal Lengths	(imperial)	(metric)
Platform length	20'-0"	(6 m)
Platform length	23'-0"	(7m)
Platform length	26'-0"	(8 m)
Platform length	29'-6"	(9 m)
Platform length	33'-0"	(10 m)
Platform length	36'-0"	(11m)
Platform length	39'-6"	(12 m)
Platform length	42'-6"	(13 m)
Platform length	46'-0"	(14 m)
Platform length	49'-0"	(15 m)
Platform length	52'-6"	(16 m)
Platform length	56'-0"	(17 m)
Platform length	59'-0"	(18 m)



WARNING: All above units must be used with two point suspension systems!

